



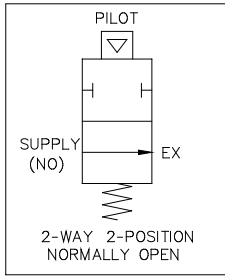
www.macis.com.sg

# INTERFACE VALVE

## Valve Operation

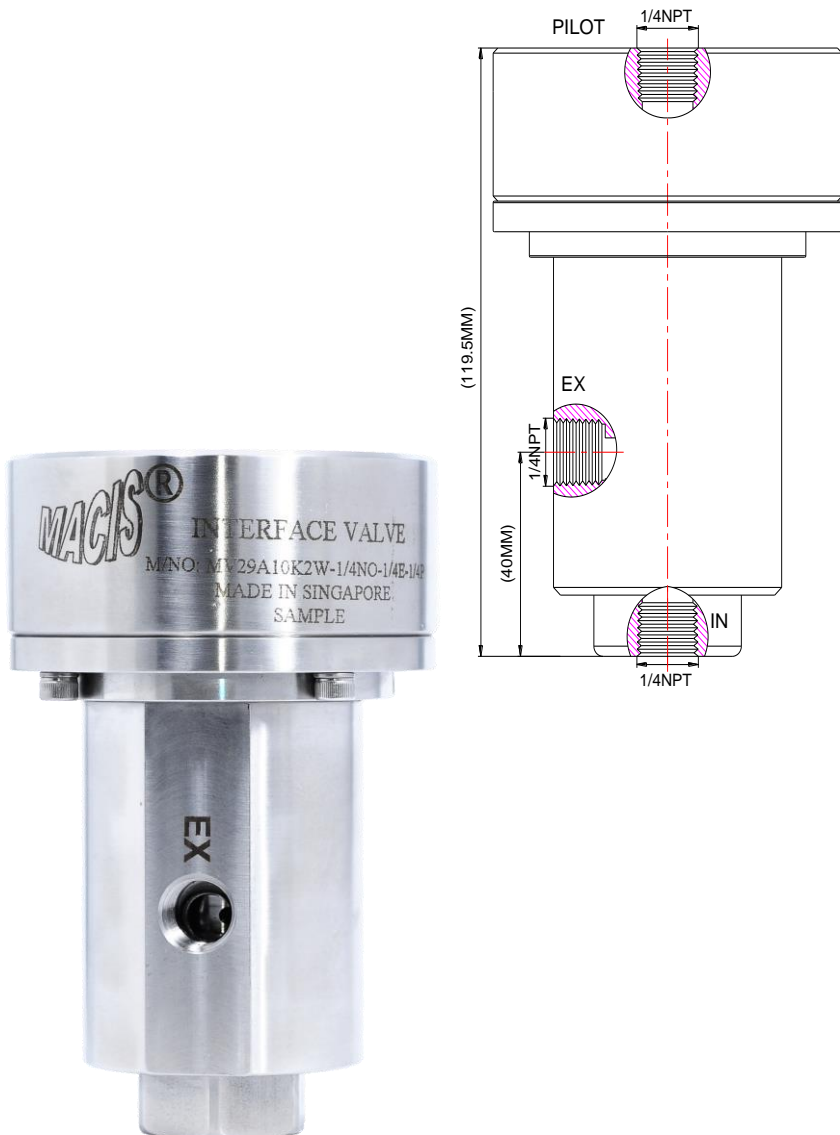
MV 29A10K2W-1/4NO-1/4E-1/4P-L & MV 29A10K2W-3/8NO-3/8E-1/4P-L are 2-Way Normally Open, Pilot Supply pressure Operated Interface Valves.

The valve designed to open incoming supply pressure from IN to EX port (As per below Status Table State 2) when there is Pilot pressure present. With pilot pressure applied IN pressure is block to EX port (As per below Status Table State 1). A loss of Pilot Supply pressure will open and vent supply pressure from IN port to EX port.

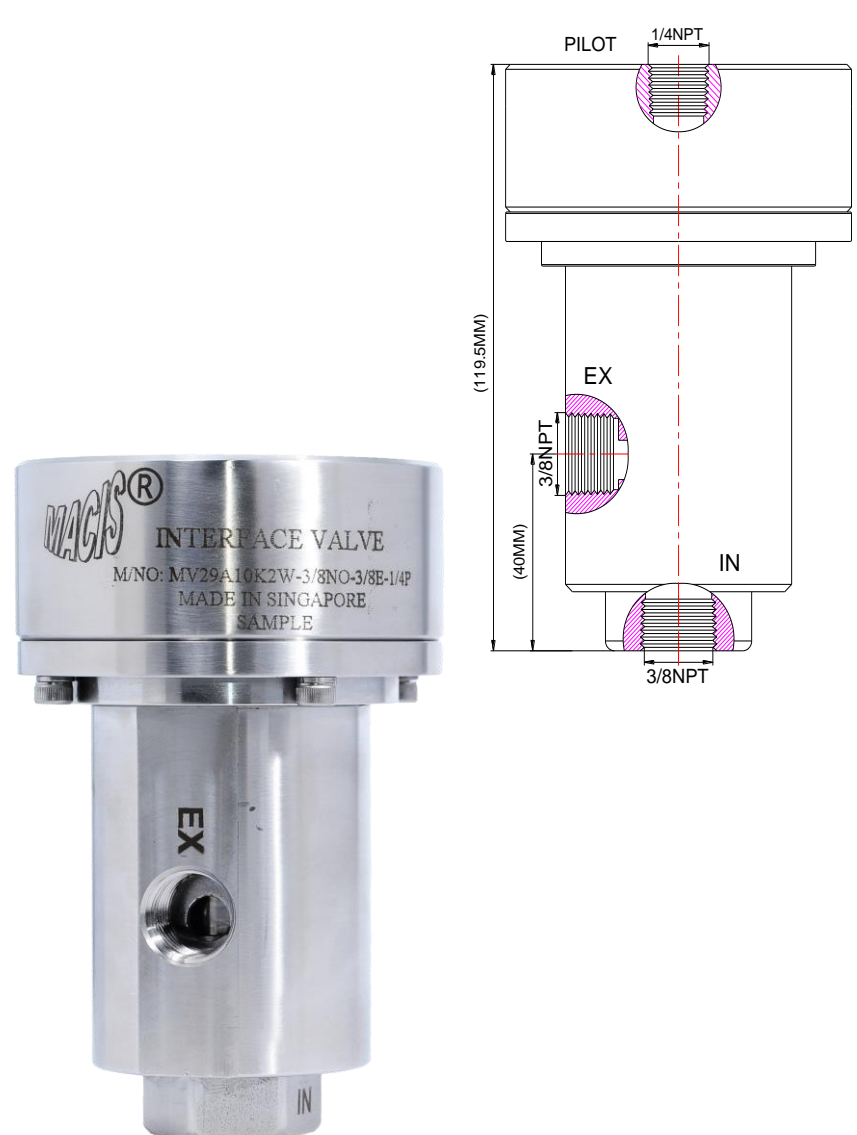


Flow Control Status Table

STATE	IN	EX	PILOT
1	O	-	O
2	O	O	-



Ordering Ref : MV 29A10K2W-1/4NO-1/4E-1/4P-L



Ordering Ref : MV 29A10K2W-3/8NO-3/8E-1/4P-L

## Specification

Control Application	2-Way Normally Open Auto Operation Type
Pilot Linker Shape	Circular Ø76.2mm (3")
Net Weight	2.4 KG
Proof Working Media	Air
Pilot Pressure Range	40-150 PSI (2.8 -10.3 bar)
Max Working Pressure	10,000 PSI (689.4 bar)
Temperature Range	- 30°C to 120°C <i>Other Temperature Ranges available. Consult Factory</i>
Material(Valve Body)	316 L
Seal Material	Viton(FKM) <i>Other Seal Material are Available Upon Request</i>
Flow Rate	Cv = 0.36

## Distinctions

Ordering Ref No : MV29A10K2W-1/4NO-1/4E-1/4P-L



Port Connection Size : IN, EX & Pilot Ports: ¼" NPT F

Ordering Ref No : MV29A10K2W-3/8NO-3/8E-1/4P-L



Port Connection Size : IN & EX Ports: 3/8" NPT F, Pilot Port: ¼" NPT F

\*\* Measurement stated are with tolerance of +/-10%. Optional Parts/Material are available upon request.

MACIS PTE LTD

Blk 3015A Ubi Road 1, #01-02 & #01-06 Kampong Ubi Industrial Estate, Singapore 408705  
Email : [sales@macis.com.sg](mailto:sales@macis.com.sg) TEL : 65-6749 6011 / 65-6749 7882 FAX : 65-6749 1398