

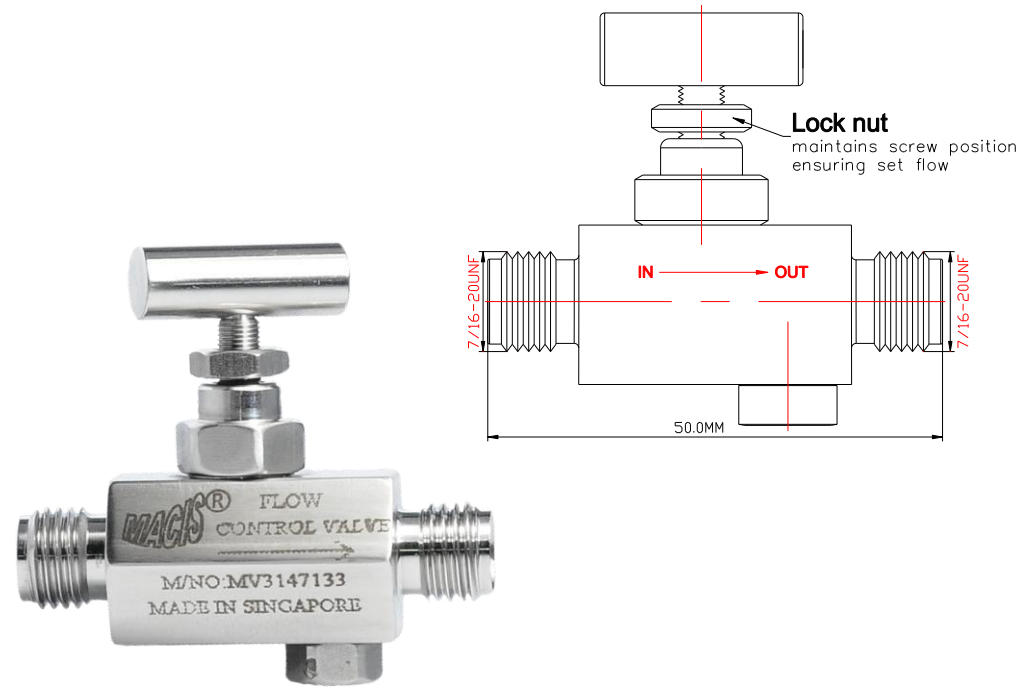
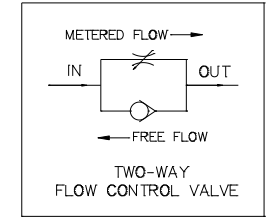


www.macis.com.sg

FLOW CONTROL VALVE

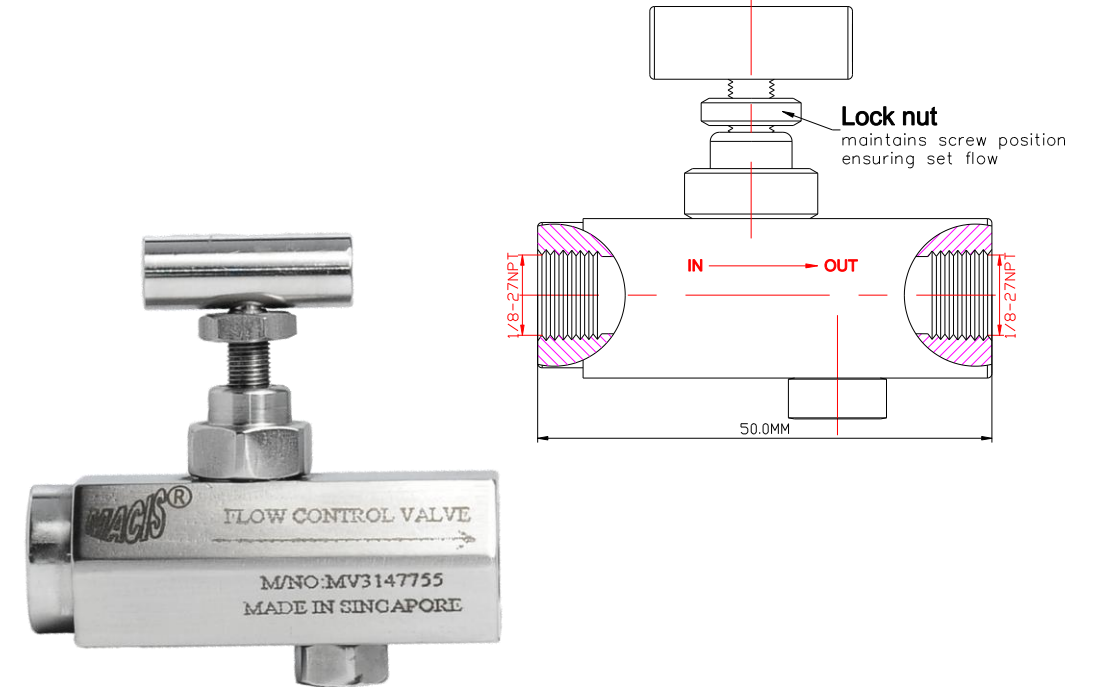
Descriptions

Flow control valve combines a ball check and needle valve to provide effective speed control and fast close function. Flow adjustment can be made under pressure. When turning the manual handle clockwise and with the working pressure entering the IN port, a tapered needle acts as a fixed orifice, the effective size of this orifice is increased as tapered needle is opened controlling flow to out port. In the opposite direction, when reverse pressure flow exceeds the spring force, the spring biased ball inside the spring is unseated allowing free flow through it.



Ordering Ref : MV 3147133-L (Without Ferrule & Nuts)

MV 3147133L- I 1/4" OD- O 1/4" OD (With Ferrule & Nuts)



Ordering Ref : MV 3147755-L

Specification

Control Application	2-Way, Needle and Spring Biased Ball Operated, Provides controlled flow in one direction(as arrow) and allows full flow in the opposite
Working Media	Air
Max Working Pressure	1,000psi(68,94 bar)
Temperature Range	- 30°C to 120°C <i>Other Temperature Ranges available. Consult Factory</i>
Material(Valve Body)	316 L
Exterior Shape	Hexagon A/F19.05 mm (49/64")
Orifice Size	Ø3.0mm(1/8 ")
Seal Material	Viton(FKM) <i>Other Seal Material are Available Upon Request</i>
Flow Rate	Cv (Flow Check): 0.23

Distinctions

Ordering Ref No	Port Connection Size	Net Weight
MV 3147133-L :	IN & OUT Ports :7/16"-20UNF M	100gm
MV 3147755-L :	IN & OUT Ports : 1/8"-27NPT F	110gm

**Measurement stated are with tolerance of +/-10%. Optional Parts/Material are available upon request.

MACIS PTE LTD

Blk 3015A Ubi Road 1, #01-02 & #01-06 Kampong Ubi Industrial Estate, Singapore 408705
Email : sales@macis.com.sg TEL : 65-6749 6011 / 65-6749 7882 FAX : 65-6749 1398