

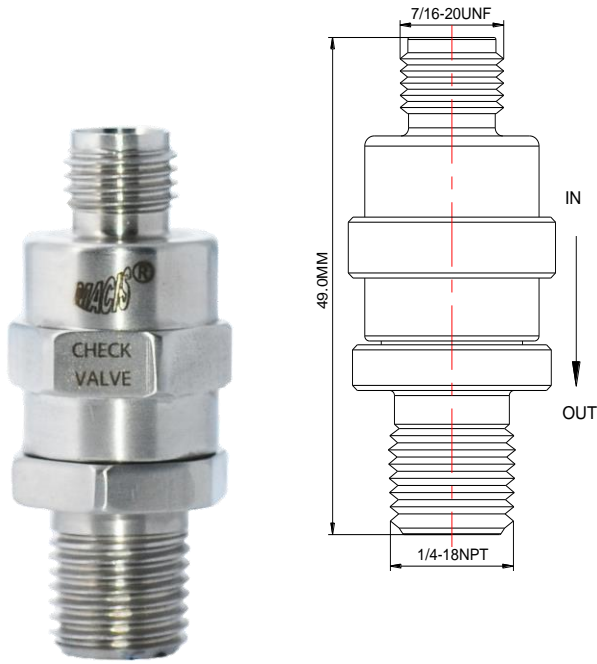
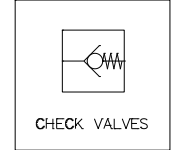


www.macis.com.sg

CHECK VALVE

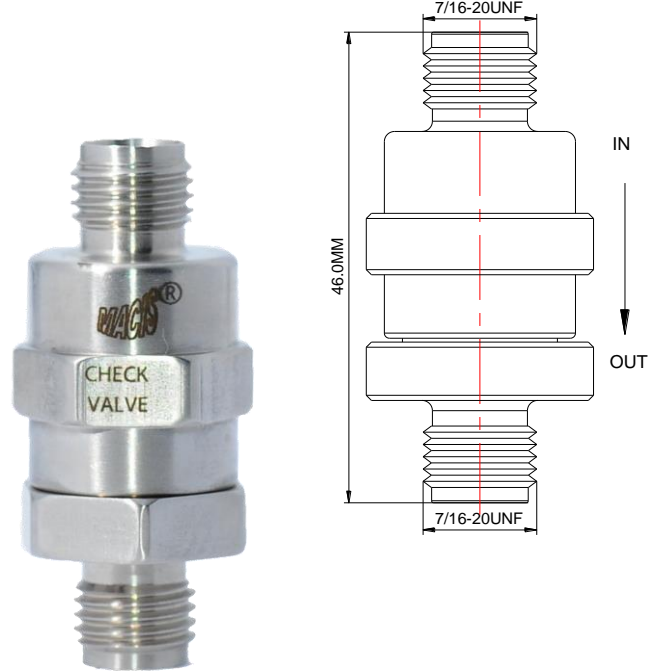
Descriptions

Check valve allows **gas fluid** to flow through it in only one direction (inlet to outlet), and by spring assisted poppet positioning to closing in response to backflow or insufficient forward pressure.



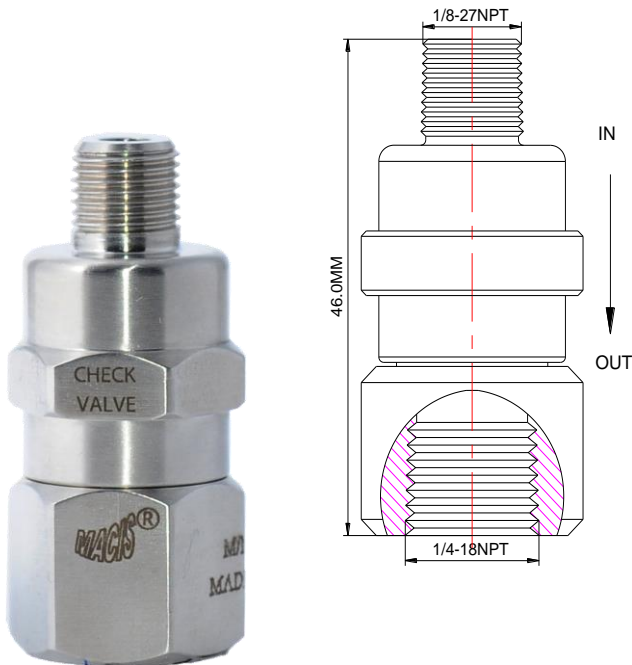
Ordering Ref : MV 4298131-L (Without Ferrule & Nuts)

MV 4298131L – I1/4OD (With Ferrule & Nuts)

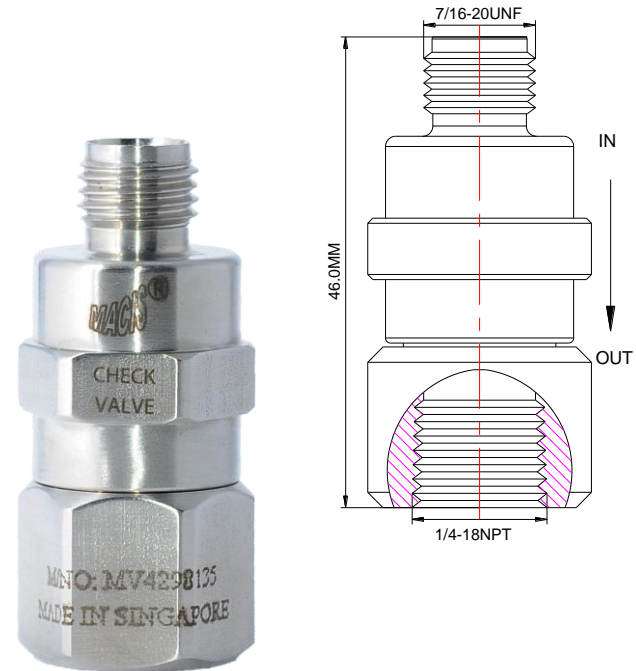


Ordering Ref : MV 4298133-L (Without Ferrule & Nuts)

MV 4298133L- OD1/4 (With Ferrule & Nuts)

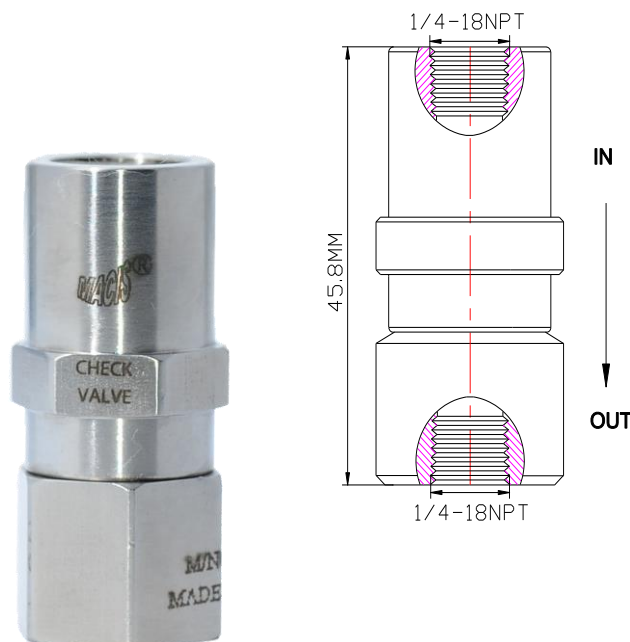


Ordering Ref : MV 4298115-L



Ordering Ref : MV 4298135-L (Without Ferrule & Nuts)

MV 4298135L- I1/4OD (With Ferrule & Nuts)



Ordering Ref : MV 4298116-L

MACIS PTE LTD

Blk 3015A Ubi Road 1, #01-02 & #01-06 Kampong Ubi Industrial Estate, Singapore 408705
Email : sales@macis.com.sg TEL : 65-6749 6011 / 65-6749 7882 FAX : 65-6749 1398

Specification

Control Application	Directional Flow(In the open position to allow forward flow and closed position to block reverse flow)
Working Media	Air
Max Working Pressure	6,000psi(413.7 bar)
Cracking Pressure	1 to 3 PSI (0.068 to 0.206 bar) <i>Other Cracking Pressure are Available upon request.</i>
Temperature Range	- 30°C to 120°C <i>Other Temperature Ranges available. Consult Factory</i>
Material(Valve Body)	316 L
Exterior Shape	Hexagon A/F19.05mm ($\frac{3}{4}$ ")
Orifice Size	Ø4.8mm ($\frac{3}{16}$ ")
Seal Material	Viton(FKM) <i>Other Seal Material are Available Upon Request</i>
Flow Rate	Cv = 0.83

Distinctions

<u>Ordering Ref No</u>	<u>Port Connection Size</u>	<u>Net Weight</u>
MV 4298131-L :	IN Port : 7/16"-20UNF M, OUT Port : ¼"-18NPT M	60gm
MV 4298133-L :	IN & OUT Ports : 7/16"-20UNF M	60gm
MV 4298135-L :	IN Port : 7/16"-20UNF M, OUT Port : ¼"-18NPT F	60gm
MV 4298115-L :	IN Port : 1/8"-27NPT M, OUT Port : ¼"-18NPT F	70gm
MV 4298116-L :	IN & OUT Ports : ¼"-18NPT F	70gm

****Measurement stated are with tolerance of +/-10%. Optional Parts/Material are available upon request.**