



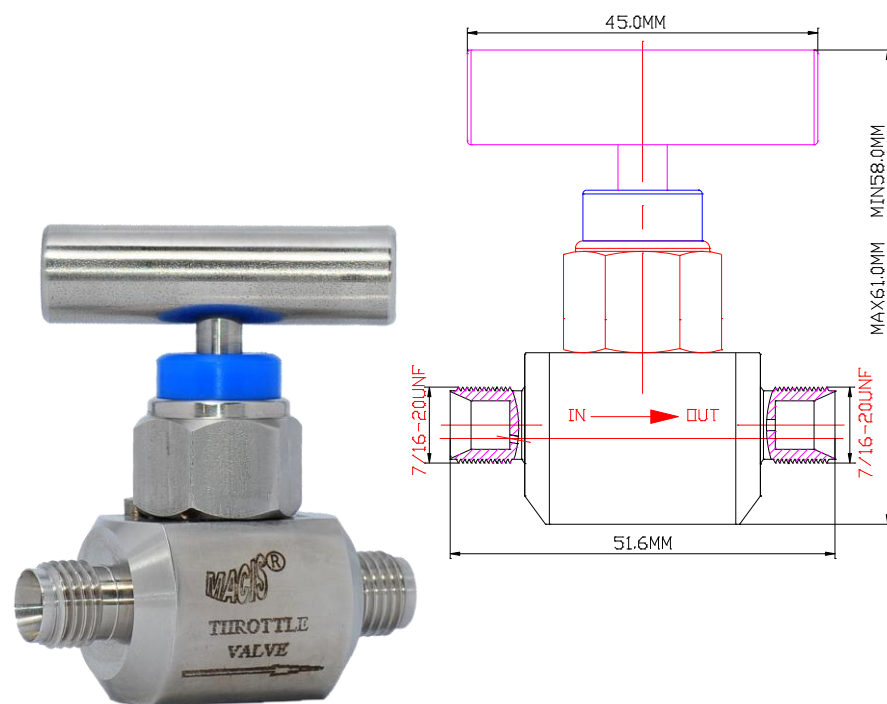
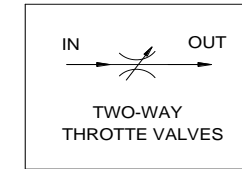
www.macis.com.sg

THROTTLE VALVE

Descriptions

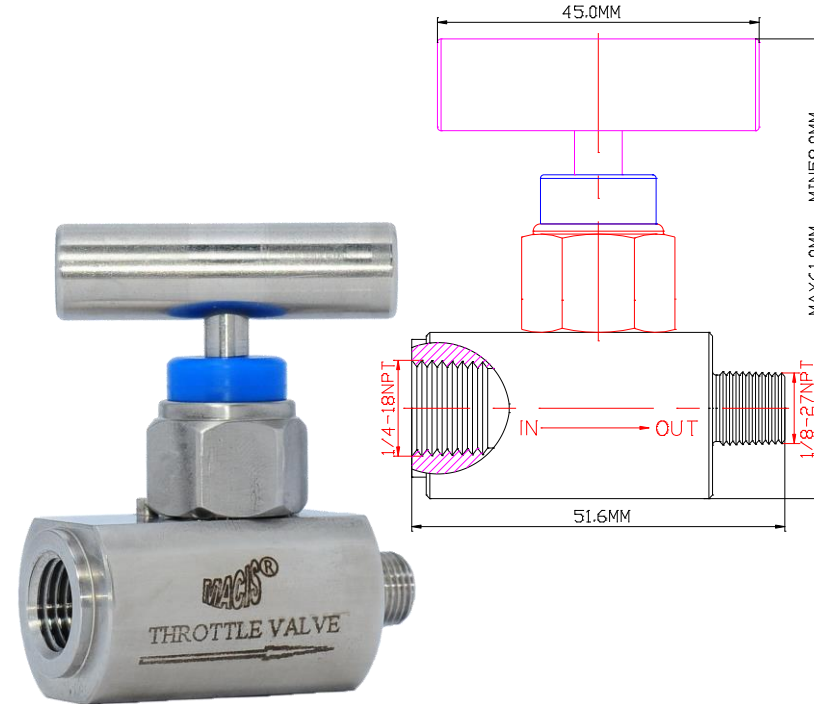
The throttle valve is a linear motion valve used to stop, start fluid flow and throttling of fluids. It is often used in combination with check valve and gate valve for better operation and isolation or supplied to another fluid component such as an actuator.

The pressure fluid enters the valve via the IN port, the throttling point is formed, by rotating the handle cause the cross-section of the throttling point can be changed infinitely. Therefore, the valve can provide fine throttling ability.

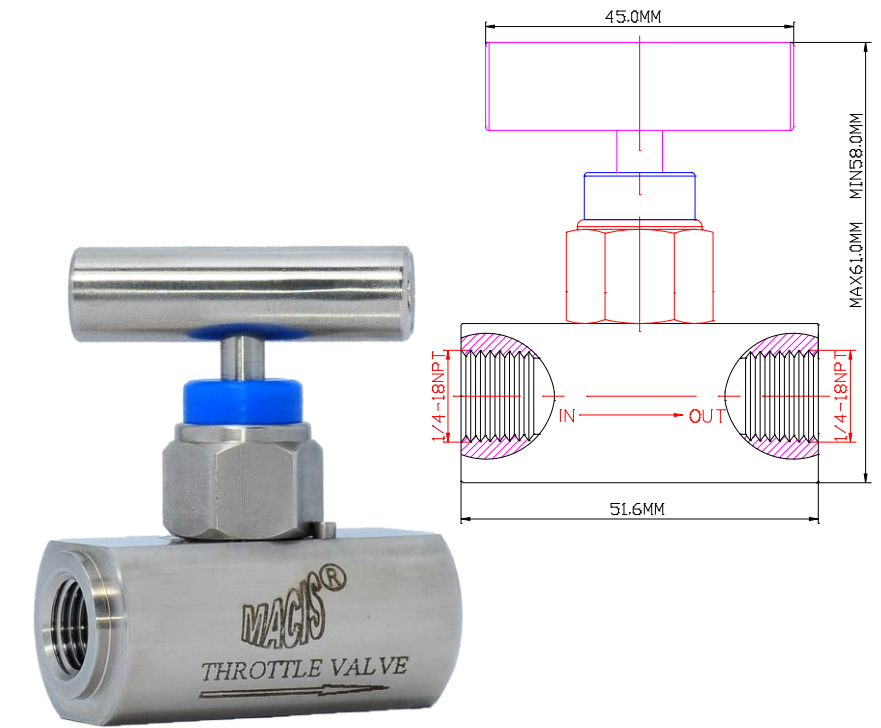


Ordering Ref : MV 6342133-L (Without Ferrule & Nuts)

MV 6342133L-OD1/4 (With Ferrule & Nuts)



Ordering Ref : MV 6342251-L



Ordering Ref : MV 6342355-L

Specification

Working Media	Air
Max Working Pressure	6,000psi(413.7bar)
Temperature Range	- 30°C to 120°C <i>Other Temperature Ranges available. Consult Factory</i>
Material(Valve Body)	316 L
Exterior Shape	Circular Ø28.0 mm (1 1/8")
Orifice Size	Ø3.0mm (1/8")
Flow Rate	Cv = 0.22
Seal Material	Viton(FKM) <i>Other Seal Material Are Available Upon Request</i>
Options	Body Material and end connections other option available upon request

Distinctions

Ordering Ref No	Port Connection Size	Net Weight
MV 6342133-L :	IN & OUT Ports : 7/16"-20UNF M (Double Ferrule)	220gm
MV 6342251-L :	IN Port :1/4"-18NPT F, OUT Port : 1/8"-27NPT M	250gm
MV 6342355-L :	IN & OUT Ports : 1/4"-18NPT F	280gm

*Measurement stated are with tolerance of +/-10%. Optional Parts/Material are available upon request.

MACIS PTE LTD

Blk 3015A Ubi Road 1, #01-02 & #01-06 Kampong Ubi Industrial Estate, Singapore 408705
Email : sales@macis.com.sg TEL : 65-6749 6011 / 65-6749 7882 FAX : 65-6749 1398