



www.macis.com.sg

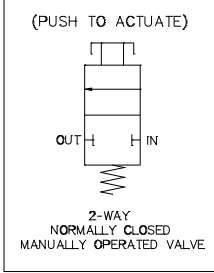
MANUAL OPERATED VALVE

Valve Operation

MV29179-N55H-2W-SPB-PS-C & MV29179-N55H-2W-PS-C are 2Way 2-Position, Normally closed, manual push to actuate manual operated valves, auto reset type.

To open the valve, push the plain / (palm) button to actuate, the supply pressure from IN port to OUT port as per Status table (State 2).

To close the valve, release the plain / (palm) button, the valve will spring return to close as per Status table (state 1). The IN port and OUT port will be block.

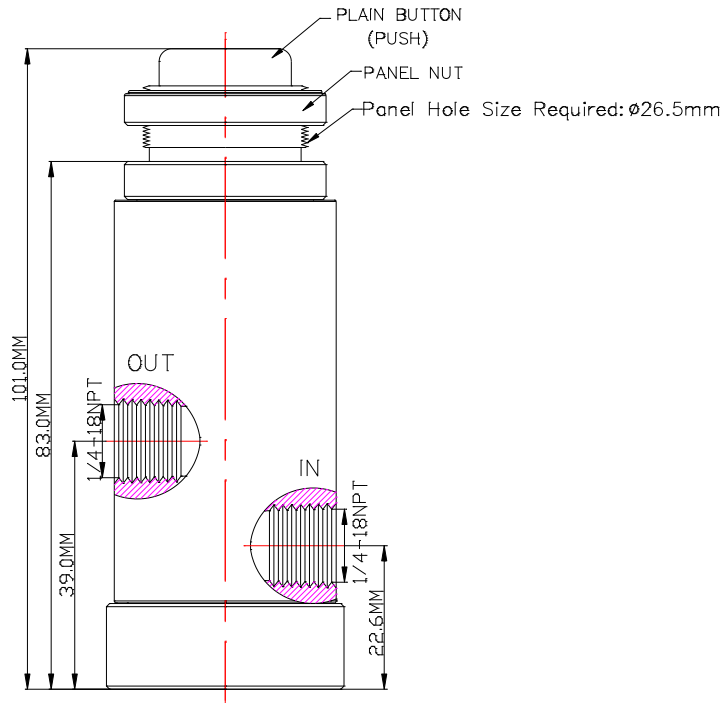


Flow Control Status Table

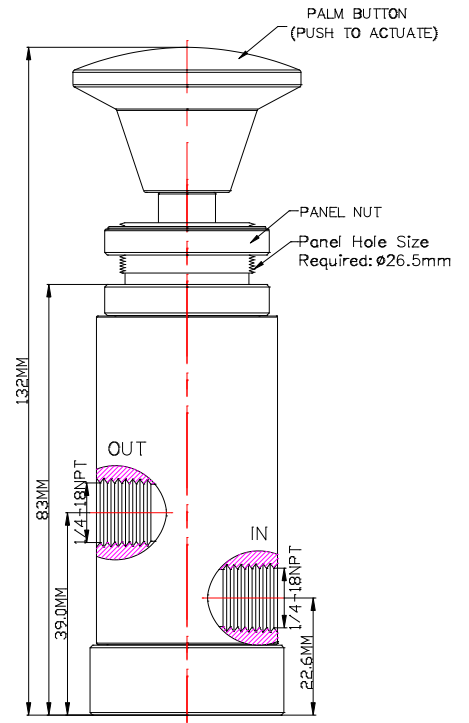
STATE	IN	OUT	Plain /Palm Button
1	-	-	Release
2	O	O	Push



Ordering Ref : MV29179-N55H-2W-SPB-PS-C



Ordering Ref : MV29179-N55H-2W-PS-C



Specification

Control Application	2-Way 2-Position, Normally Closed Manual Push to Actuate, with Spring Return Auto Reset Type	Distinctions <u>Ordering Ref No</u> <u>Button</u> MV29179-N55H-2W-SPB-PS-C : Unguarded, Plain button MV29179-N55H-2W-PS-C : Palm button
Port Connection Size	1/4" NPT F	
Exterior Shape	Circular Ø 38.1 mm (1 1/2 ")	
Panel Hole Size	Ø 26.5mm (1 3/64 ")	
Net Weight	700 gm	
Working Media	Oil	
Max Working Pressure	200 PSI (13.7bar)	
Temperature Range	- 30°C to 120°C <i>Other Temperature Ranges available. Consult Factory</i>	
Material(Valve Body)	316L	
Seal Material	Nitrile Rubber(NBR) <i>Other Seal Material are Available Upon Request</i>	
Flow Rate	Cv = 1.6	

** Measurement stated are with tolerance of +/-10%. Optional Parts/Material are available upon request.

MACIS PTE LTD

Blk 3015A Ubi Road 1, #01-02 & #01-06 Kampong Ubi Industrial Estate, Singapore 408705
Email : sales@macis.com.sg TEL : 65-6749 6011 / 65-6749 7882 FAX : 65-6749 1398