

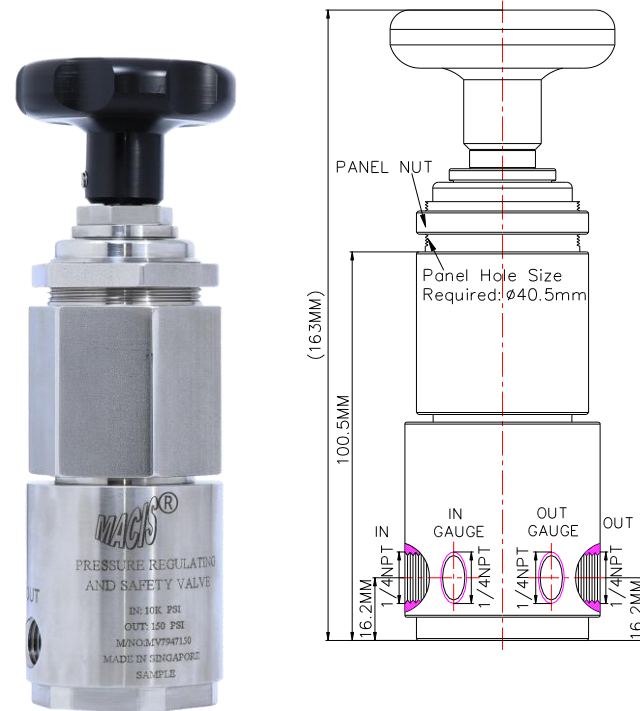
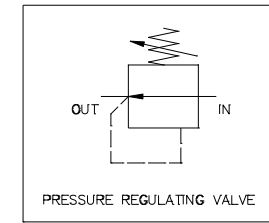


www.macis.com.sg

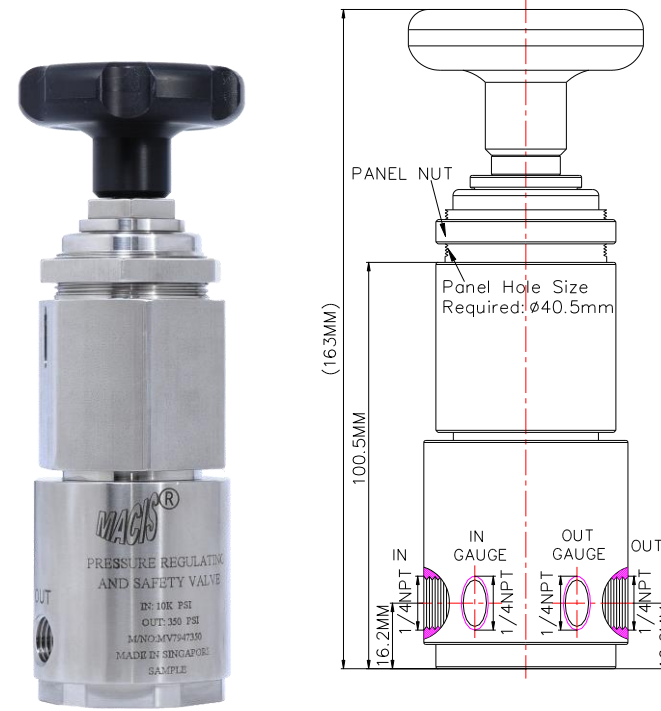
PRESSURE REGULATING VALVE

Descriptions

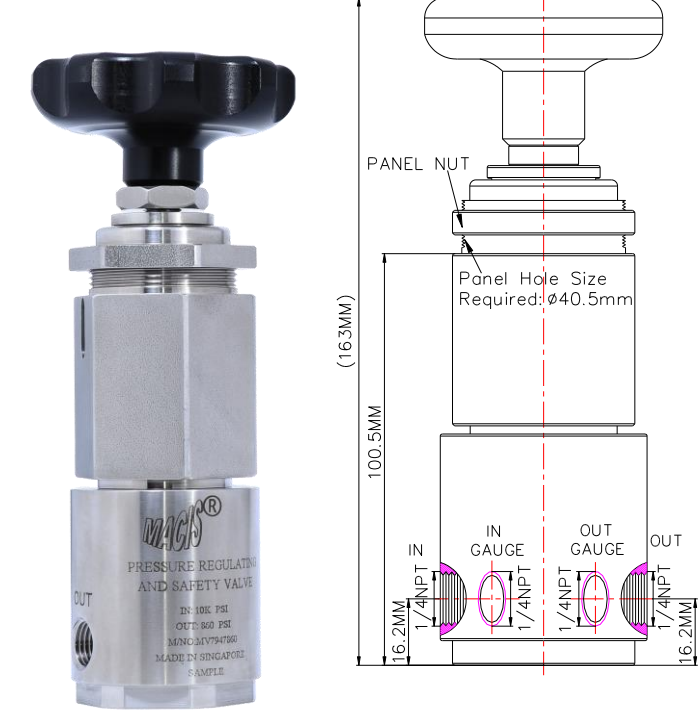
MV794LF6K-150 / (350 / 550)-1/4G-P is a 2-Position, Normally Open *without Self-Relieving* Pressure regulator. A pressure regulator is a *valve* that automatically cuts off the flow of a gas at a certain pressure. They are used to allow high-pressure fluid supply lines to be reduced to safe and/or usable pressures for various applications. The pressure media enters the regulator through by IN port, turning the adjusting wheel *clockwise* will increase the spring exerted tension to *increase* the regulator *output pressure*, rotating the adjusting wheel *counterclockwise* will *decrease* the regulator *output pressure*, and this reduced output pressure will be maintained within a predetermined operating pressure range or limit.



Ordering Ref : MV794LF6K-150-1/4G-P
Corresponding Ordering Ref : MV 7947150-L



Ordering Ref : MV794LF6K-350-1/4G-P
Corresponding Ordering Ref : MV 7947350-L



Ordering Ref : MV794LF6K-550-1/4G-P
Corresponding Ordering Ref : MV 7947860-L

Specification

Port Connection Size	Input: 1/4" - 18NPT F Output: 1/4" - 18NPT F Gauge: 1/4" - 18NPT F (2X)	Distinctions
Net Weight	1.52 kg	
Working Media	Air	Ordering Ref No
Temperature Range	- 30°C to 120°C <i>Other Temperature Ranges available. Consult Factory</i>	Working Pressure
Material(Valve Body)	SUS316 Stainless Steel	MV 794LF6K-150-1/4G-P : Max Inlet Pressure: Services up to 10,000psi (689.4bar), Optimum 6,000psi (413.7bar)
Adjusting Wheel Material	Polyamide <i>Other Material are available, Consult Factory</i>	Output Pressure Range: 0-150psi (0-10.3bar)
Panel Hole Size	Ø40.5mm (1 19/32")	MV 794LF6K-350-1/4G-P : Max Inlet Pressure: Services up to 10,000psi (689.4bar), Optimum 6,000psi (413.7bar)
Orifice Size	Ø2.8mm (7/64")	Output Pressure Range: 0-350psi (0-24.1bar)
Flow Rate	Cv = 0.2	MV 794LF6K-550-1/4G-P : Max Inlet Pressure: Services up to 10,000psi (689.4bar), Optimum 6,000psi (413.7bar)
Seal Material	Viton (FKM) <i>Other Material Are available, Consult Factory</i>	Output Pressure Range: 0-550psi (0-37.9bar)

** Measurement stated are with tolerance of +/-10%. Optional Parts/Material are available upon request.

MACIS PTE LTD

Blk 3015A Ubi Road 1, #01-02 & #01-06 Kampong Ubi Industrial Estate, Singapore 408705
Email : sales@macis.com.sg Tel : 65-6749 6011 / 65-6749 7882 , Fax: 65-6749 1398