



www.macis.com.sg

PILOT VALVE WITH INDICATING (Auto Reset Type)

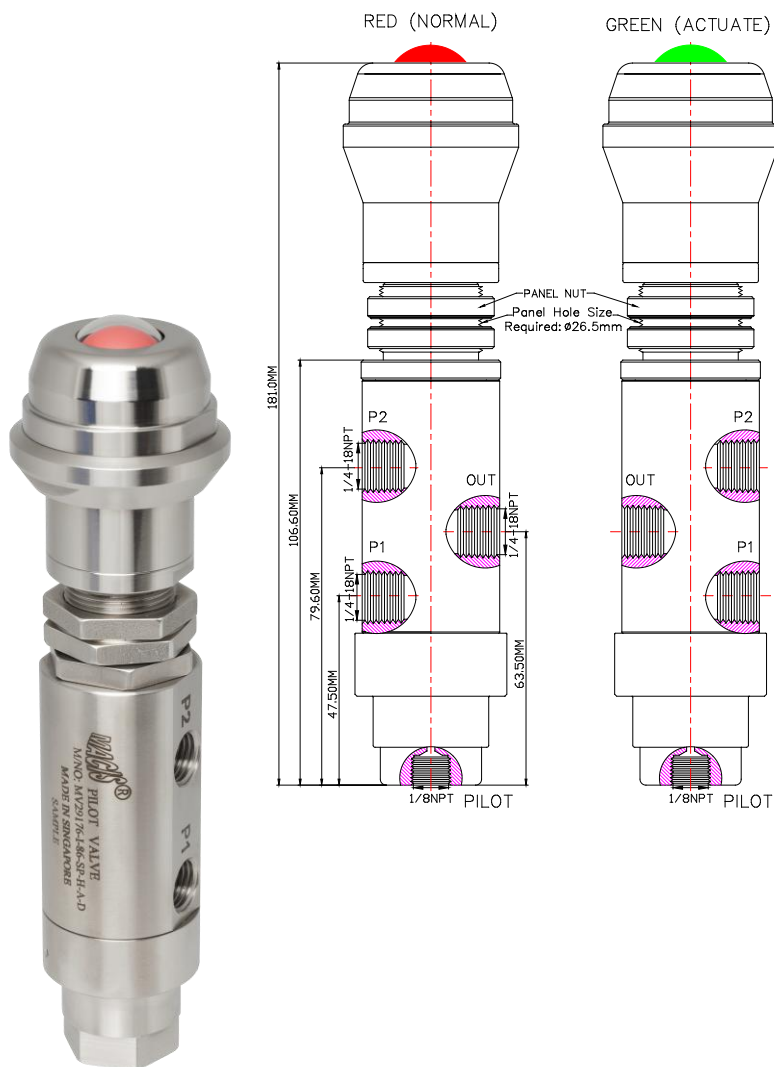
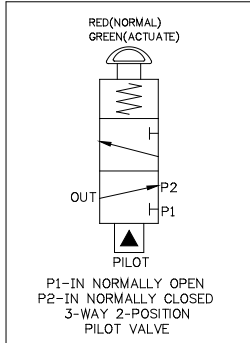
Valve Operation

MV29176-I-86-SP-H-A-D & MV29178-I-86-SP-H-A-D are 3 Way 2-Position, Universal operation, 2-Color indicating pilot valves, auto reset type.

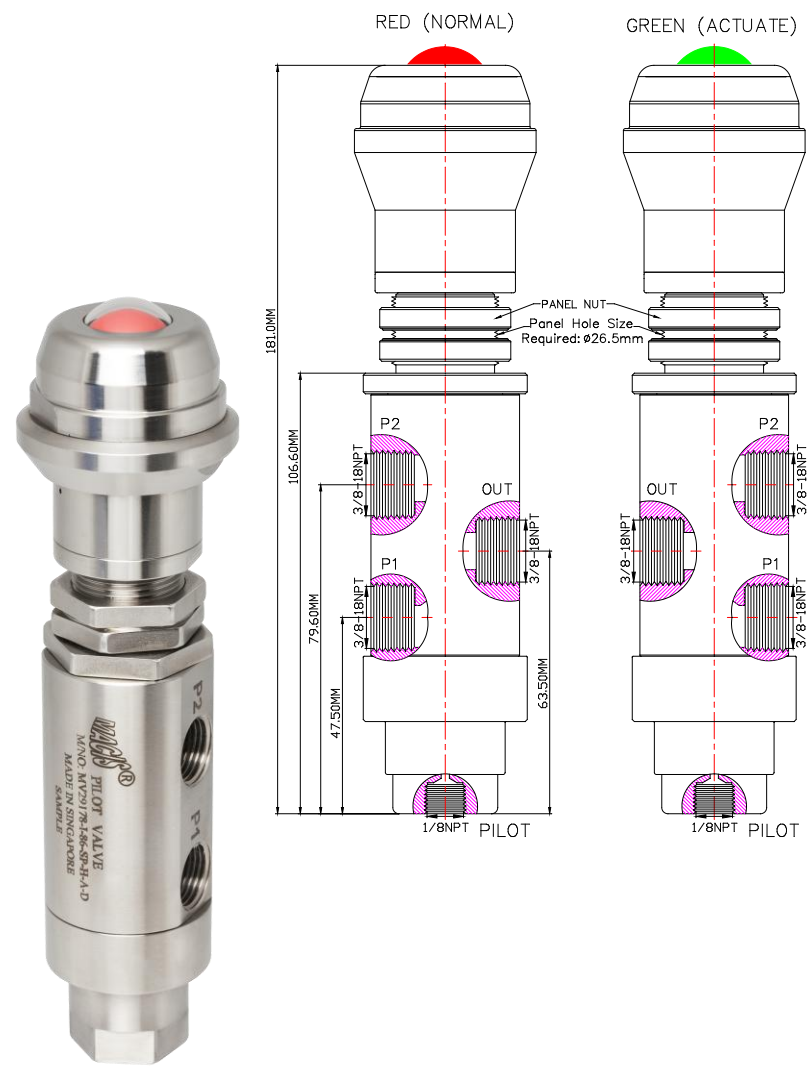
Apply pilot pressure to open valve, spring return upon loss of pilot pressure.

The valve provided with a pressure indicator appears **Green** when there is pilot pressure present in the pilot chamber, showing normally open position. The pressure indicator appears **Red** when there is no pressure in the pilot chamber or the pilot pressure drop to below than 18 psi (1.24bar), at which point the valve will spring return to closed position.

**Note: Valve is a universal operation, when select P2 port as IN port, the valve is normally closed. When select P1 port as IN port the valve is normally open.*



Ordering Ref : MV29176-I-86-SP-H-A-D



Ordering Ref : MV29178-I-86-SP-H-A-D

Specification

Control Application	3-Way 2-Position, Universal Operation 2-Color Indicating Pilot Valve, Auto Reset Type	Distinctions
Net Weight	1.1kg	
Panel Hole Size	Ø 26.5mm (1 3/64")	Ordering Ref No Port Connection Size Exterior Shape
Working Media	Oil	MV29176-I-86-SP-H-A-D : P1 ,P2 & OUT Ports : 1/4"NPT F Circular Ø 38.1 mm (1 1/2") Pilot Port : 1/8"NPT F
Pilot Pressure Range	36 - 200 PSI (2.5 – 13.7 bar)	MV29178-I-86-SP-H-A-D : P1 , P2 & OUT Ports : 3/8"NPT F Circular Ø 40.0mm (1 37/64") Pilot Port : 1/8NPT F
Max Working Pressure	200psi (13.7 bar)	
Temperature Range	- 30°C to 120°C <i>Other Temperature Ranges Are Available. Consult Factory</i>	
Material(Valve Body)	316 L	
Seal Material	Nitrile Rubber (NBR) <i>Other Seal Material Available Upon Request</i>	
Color(Indicating)	Red & Green	
Indicator	Standard Part	
Flow Rate	Cv = 1.65	

** Measurement stated are with tolerance of +/-10%. Optional Parts/Material are available upon request.

MACIS PTE LTD

Blk 3015A Ubi Road 1, #01-02 & #01-06 Kampong Ubi Industrial Estate, Singapore 408705
Email : sales@macis.com.sg Tel : 65-67490 6011 / 65-6749 7882 FAX : 65-6749 1398