



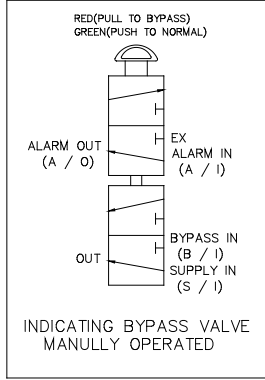
www.macis.com.sg

INDICATING SELECTOR VALVE (BYPASS)

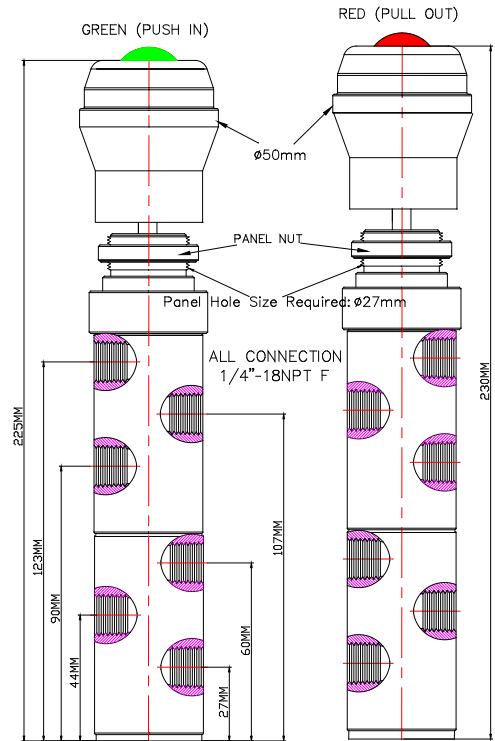
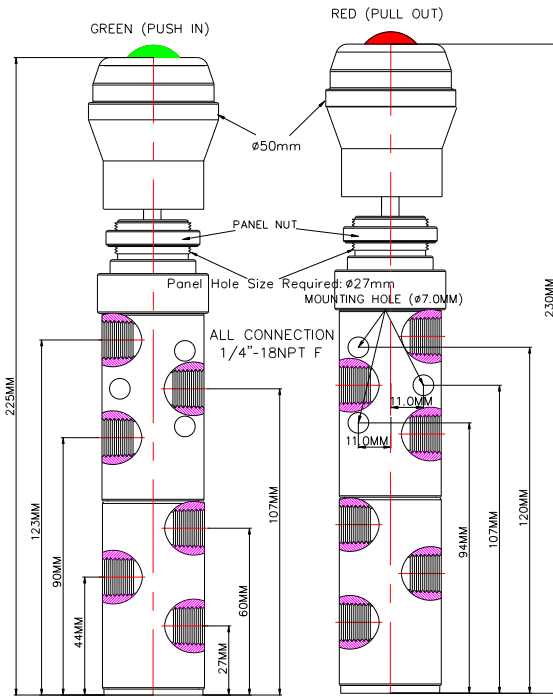
Valve Operation

When manually pushed in, the indicator appears **Green** showing normal status, the bypass inlet (B/I) will be block, the supply inlet (S/I) connect to the outlet (OUT), and the alarm inlet (A/I) connect to the alarm outlet (A/O), When manually pulled out, the indicator appears **Red** showing bypass status, the supply inlet (S/I) and alarm inlet (A/I) will be block, the bypass inlet (B/I) connect to the outlet (OUT), and the alarm outlet (A/O) connect to the exhaust (EX).

**Note: The valve is a non auto-reset function, it required to be manually push or pull to operate*



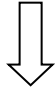
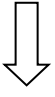
INDICATING BYPASS VALVE MANULLY OPERATED



Ordering Ref : MV29176-I-NS-62H-B

Ordering Ref : MV29176-I-NS-62H-B-D

Specification

Control Application	3-Way 2-Position, Normally Closed 2-Color Indicating Dual-Control Manual Operated Type	Distinctions Ordering Ref No: MV29176-I-NS-62H-B  Mounting Hole: 7.0mm(9/32") Ordering Ref No: MV29176-I-NS-62H-B-D  Mounting Hole: Without
Port Connection Size	1/4" NPT F	
Panel Hole Size	Ø 27 mm (1 1/16")	
Net Weight	1.4 KG	
Working Media	Oil	
Max Working Pressure	200 PSI (13.7 bar)	
Temperature Range	- 30°C to 120°C <i>Other Temperature Ranges available. Consult Factory</i>	
Material(Valve Body)	316 L	
Seal Material(Standard)	Nitrile Rubber(NBR) <i>Other Seal Material are Available Upon Request</i>	
Indicator	Standard Part	
Color(Indicating)	Red & Green	
Flow Rate	Cv = 1.6	

** Measurement stated are with tolerance of +/-10%. Optional Parts/Material are available upon request.

MACIS PTE LTD

Blk 3015A Ubi Road 1, #01-02 & #01-06 Kampong Ubi Industrial Estate, Singapore 408705
Email : sales@macis.com.sg TEL : 65-6749 6011 / 65-6749 7882 FAX : 65-6749 1398