



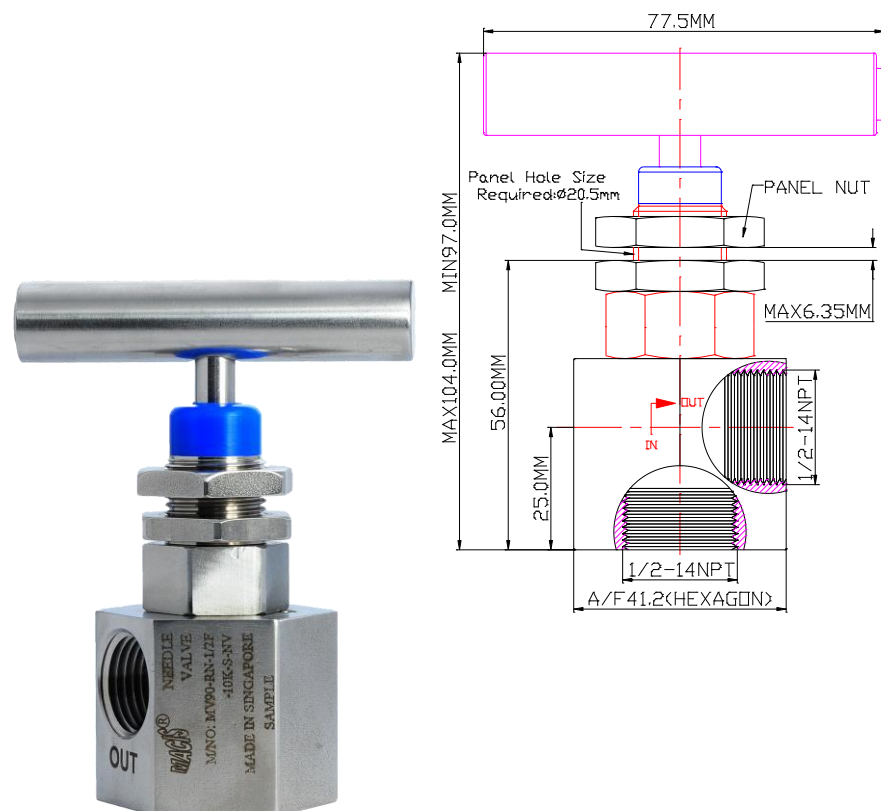
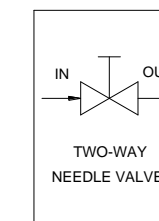
www.macis.com.sg

NEEDLE VALVE (Angle Pattern)

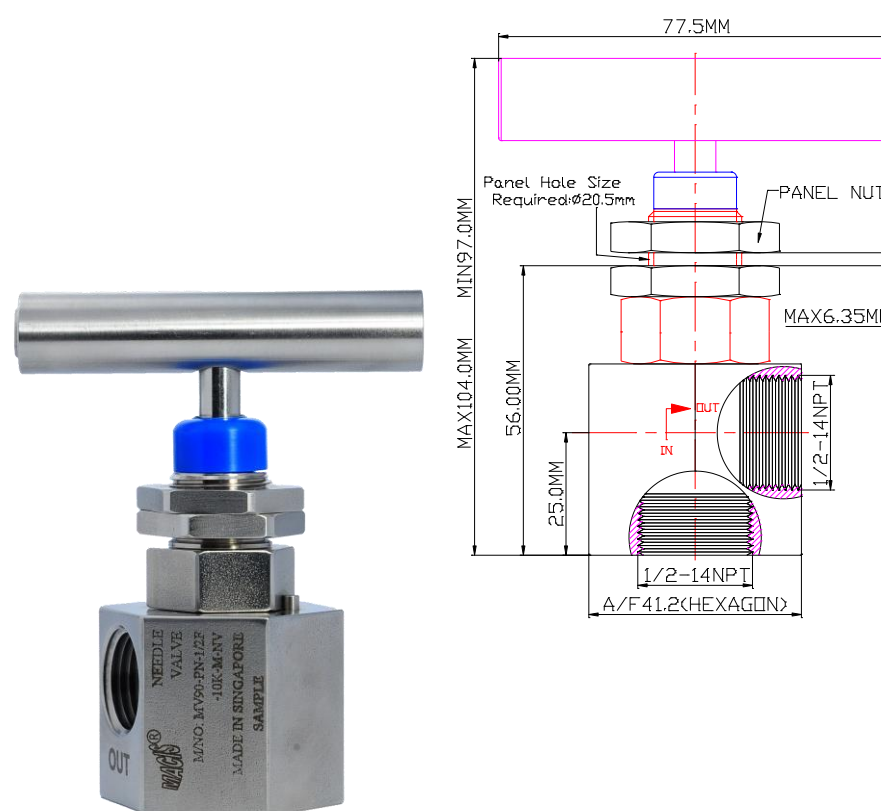
Descriptions

The needle valve is used to make relatively fine adjustments in the amount of fluid flow. They are often used as component parts of other valves, to shut off the flow of the process media to the pressure instrument.

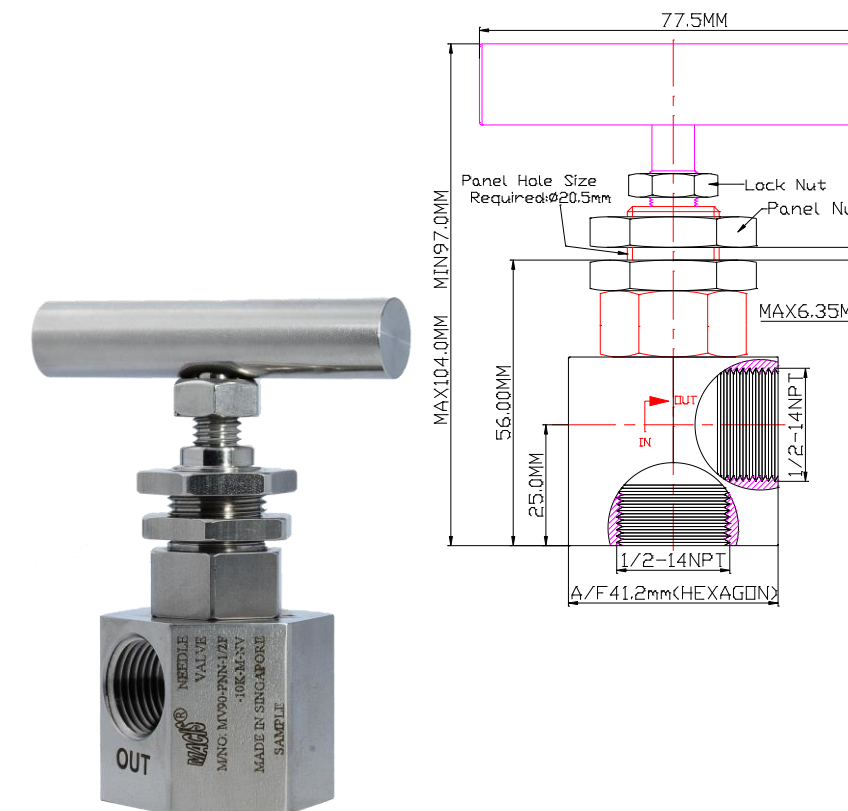
The characteristic of this valve is the long, tapered, needle like point on the end of the valve stem. This "needle" acts as a disk. The longer part of the needle is smaller than the orifice in the valve seat and passes through the orifice before the needle seats. This arrangement permits a very gradual increase or decrease in the size of the opening in the valve. Therefore, the valve can provide fine flow adjustments. The number of handle turns can be directly correlated to the amount of flow



Ordering Ref : MV 90-PN-1/2F-10K-S-NV-H



Ordering Ref : MV 90-PN-1/2F-10K-M-NV-H



Ordering Ref : MV 90-PNN-1/2F-10K-M-NV-H

Specification

Port Connection Size	IN Port: 1/2"-14NPT F OUT Port: 1/2"-14NPT F	Distinctions <table border="1"> <thead> <tr> <th>Ordering Ref No</th> <th>Orifice Size</th> <th>Flow Rate</th> <th>Locknut</th> <th>tem Seal</th> </tr> </thead> <tbody> <tr> <td>MV 90-PN-1/2F-10K-S-NV-H :</td> <td>Ø 3.0mm (1/8")</td> <td>Cv = 0.35</td> <td>Without</td> <td>With</td> </tr> <tr> <td>MV 90-PN-1/2F-10K-M-NV-H :</td> <td>Ø 6.0mm (15/64")</td> <td>Cv = 1.3</td> <td>Without</td> <td>With</td> </tr> <tr> <td>MV 90-PNN-1/2F-10K-M-NV-H :</td> <td>Ø 6.0mm (15/64")</td> <td>Cv = 1.3</td> <td>With</td> <td>Without</td> </tr> </tbody> </table>	Ordering Ref No	Orifice Size	Flow Rate	Locknut	tem Seal	MV 90-PN-1/2F-10K-S-NV-H :	Ø 3.0mm (1/8")	Cv = 0.35	Without	With	MV 90-PN-1/2F-10K-M-NV-H :	Ø 6.0mm (15/64")	Cv = 1.3	Without	With	MV 90-PNN-1/2F-10K-M-NV-H :	Ø 6.0mm (15/64")	Cv = 1.3	With	Without
Ordering Ref No	Orifice Size		Flow Rate	Locknut	tem Seal																	
MV 90-PN-1/2F-10K-S-NV-H :	Ø 3.0mm (1/8")		Cv = 0.35	Without	With																	
MV 90-PN-1/2F-10K-M-NV-H :	Ø 6.0mm (15/64")		Cv = 1.3	Without	With																	
MV 90-PNN-1/2F-10K-M-NV-H :	Ø 6.0mm (15/64")		Cv = 1.3	With	Without																	
Net Weight	600 gm																					
Working Media	Oil																					
Max Working Pressure	10,000psi(689.4 bar)																					
Temperature Range	- 30°C to 120°C <i>Other Temperature Ranges available. Consult Factory</i>																					
Material(Valve Body)	316 L																					
Exterior Shape	Hexagon A/F41.2mm (1 5/8")																					
Panel Hole Size	Ø20.5mm (51/64")																					
Seal Material	Nitrile Rubber(NBR) <i>Other Seal Material are Available Upon Request</i>																					

**Measurement stated are with tolerance of +/-10%. Optional Parts/Material are available upon request.

MACIS PTE LTD

Blk 3015A Ubi Road 1, #01-02 & #01-06 Kampong Ubi Industrial Estate, Singapore 408705
Email : sales@macis.com.sg TEL : 65-6749 6011 / 65-6749 7882 FAX : 65-6749 1398