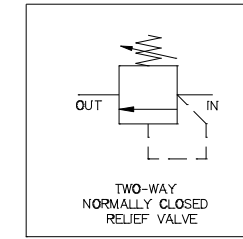




www.macis.com.sg

# RELIEF VALVE

**Model: MV9464000H (Pressure Range 2,000-4,000psi)**



## GENERAL DESCRIPTION

The model MV9464000H is a 2-Way, Two position Normally closed, Spring/Poppet operated relief valve, used to control or limit the pressure in a system, capable of pressure from 2,000psi to 4,000psi.

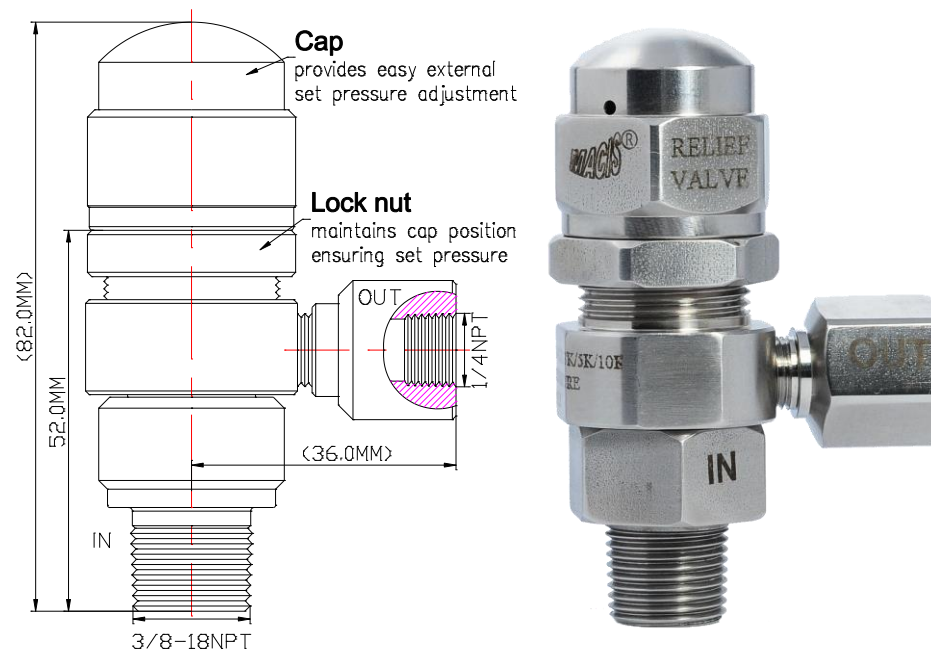
The pressure media enters the relief valve, turning the spring housing clockwise will increase the relief valve pressure setting. Rotating the spring housing counterclockwise will decrease the relief valve pressure setting. When the set pressure is exceeded, the valve is forced open. They have excellent pressure relief and reset repeatability.

## Specification (Optional Parts/Material are available upon request)

Control Application	2-Way, Two Position Normally Closed, Spring/ Poppet Operated, Used to control or limit the pressure in a system
Working Media	Oil
Pressure Range	2,000-4,000psi(137.9-275.8 bar)
Temperature Range	- 30°C to 120°C <i>Other Temperature Ranges available. Consult Factory</i>
Orifice Size	Ø3.2mm( 1/8" )
Flow Rate	Cv = 0.35
Exterior Shape	Hexagon A/F29.0mm (1 9/64")
Material(Valve Body)	316 L
Seal Material	Nitrile Rubber(NBR) <i>other seal material are available upon request</i>

## ORDERING NOTED

When ordering, kindly select the port connation size from the left bottom table and add the size number to the end of the model code .



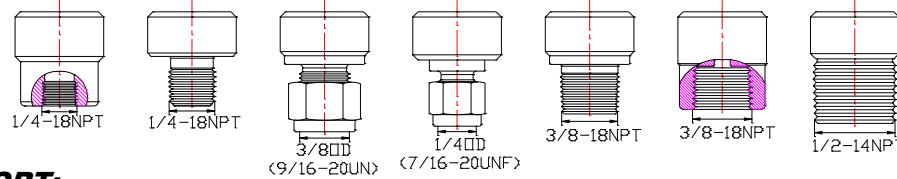
## FOR REFERENCE

Corresponding Ordering Code

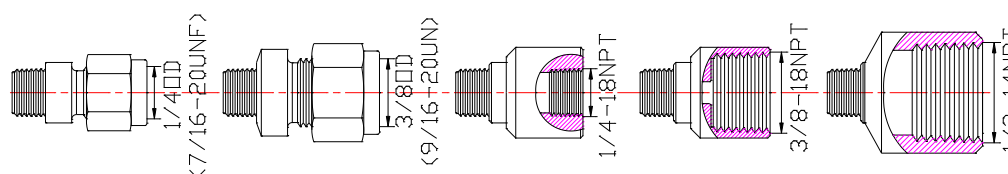
- MV946150H - I1/4NPTM - O1/4NPTF = MV9462060
- MV946350H - I1/4NPTM - O1/4NPTF = MV9462132
- MV9461000H - I1/4NPTM - O1/4NPTF = MV9462700
- MV9463000H - I1/4NPTF - O1/4NPTF = MV9462112-3K
- MV9466000H - I1/4NPTF - O1/4NPTF = MV9462112-5K
- MV94610000H - I1/4NPTF - O1/4NPTF = MV9462112-10K
- MV9463000H - I9/16UNM - O1/4NPTF = MV9462122-3K
- MV9466000H - I9/16UNM - O1/4NPTF = MV9462122-5K
- MV94610000H - I9/16UNM - O1/4NPTF = MV9462122-10K
- MV9463000H - I7/16UNFM - O1/4NPTF = MV9462142-3K
- MV9466000H - I7/16UNFM - O1/4NPTF = MV9462142-5K
- MV94610000H - I7/16UNFM - O1/4NPTF = MV9462142-10K
- MV9463000H - I1/4NPTM - O1/4NPTF = MV9462211-3K
- MV9466000H - I1/4NPTM - O1/4NPTF = MV9462211-5K
- MV94610000H - I1/4NPTM - O1/4NPTF = MV9462211-10K
- MV9463000H - I3/8NPTM - O1/4NPTF = MV9462342-3K
- MV9466000H - I3/8NPTM - O1/4NPTF = MV9462342-5K
- MV94610000H - I3/8NPTM - O1/4NPTF = MV9462342-10K

## PORT CONNECTION SIZE OPTIONS

IN PORT:



OUT PORT:



Ordering code: MV9464000H - I 3/8NPTM - O 1/4NPTF

Base Model Code

IN PORT CONNECTION SIZE

OUT PORT CONNECTION SIZE

- Leak tight when 90% of "set pressure" is applied.
- Repeatability ±5% of "set pressure".
- Re-seating within 20-30% of "cracking pressure". State details when ordering

MACIS PTE LTD

Blk 3015A Ubi Road 1, #01-02 & #01-06 Kampong Ubi Industrial Estate, Singapore 408705  
Email : [sales@macis.com.sg](mailto:sales@macis.com.sg) Tel : 65-6749 6011 / 65-6749 7882 Fax : 65-6749 1398