

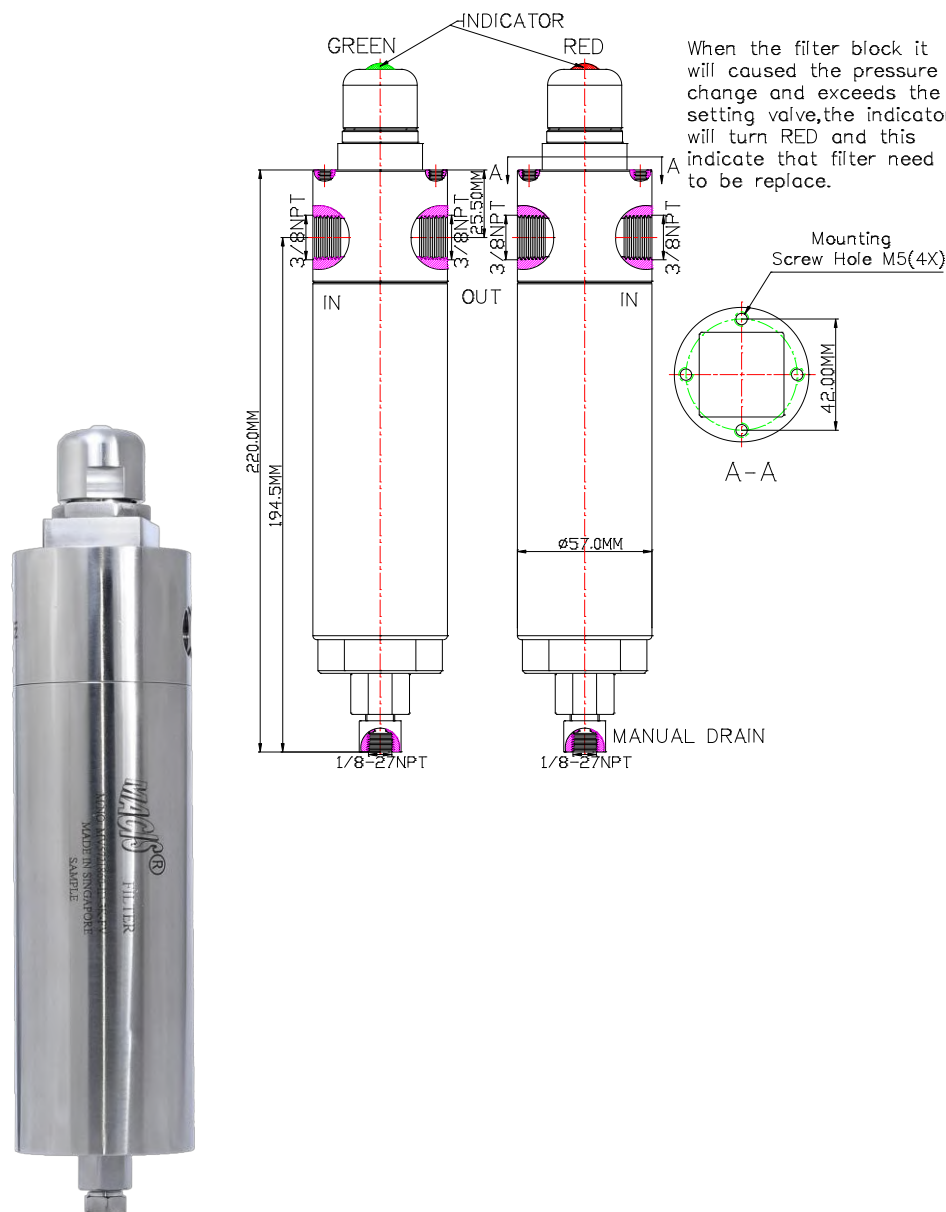
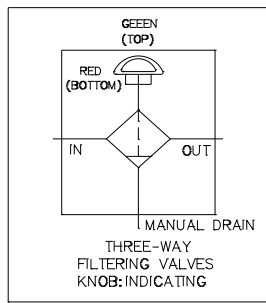


www.macis.com.sg

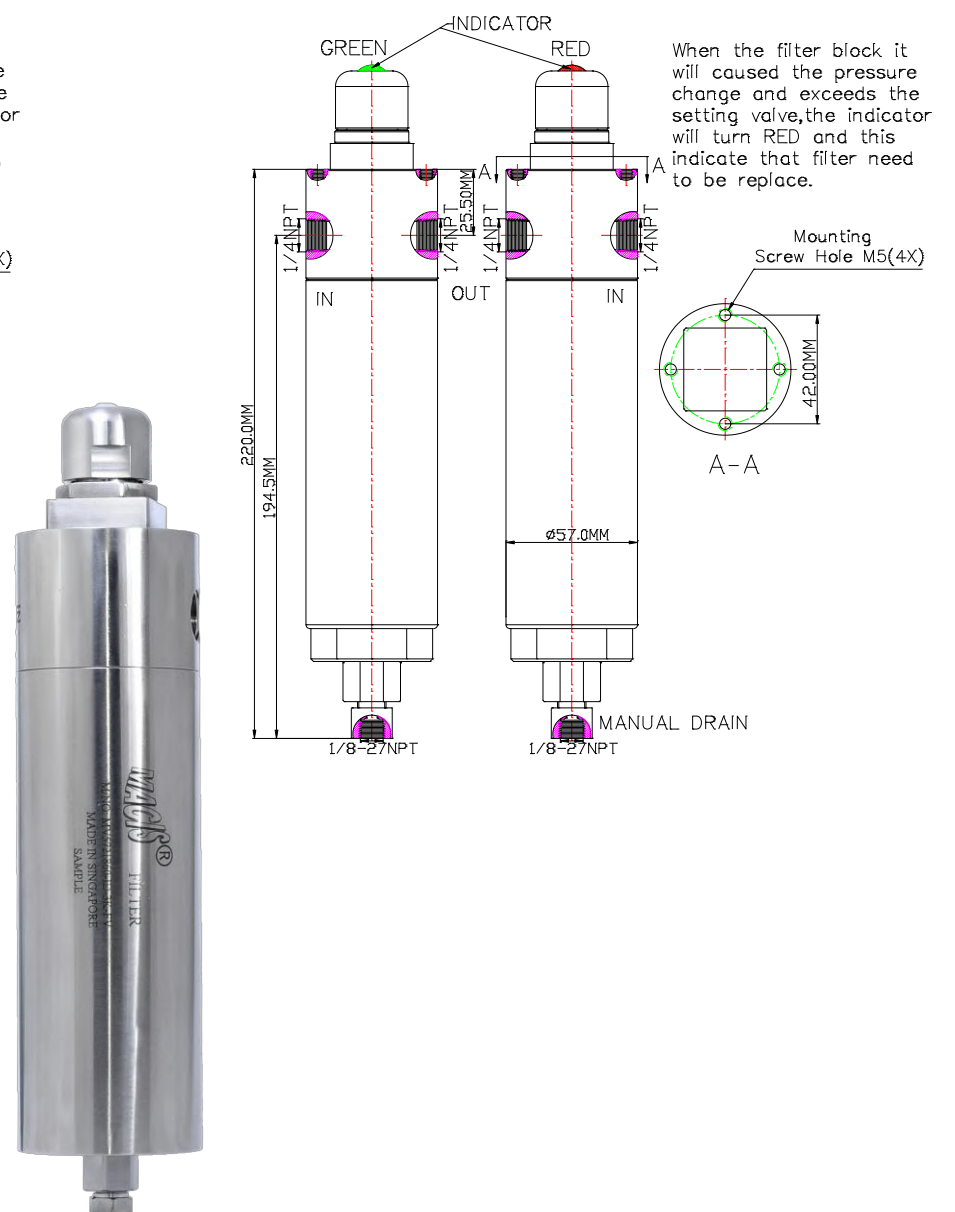
# FILTERING VALVE WITH INDICATOR

## Descriptions

**MV 5721860-ID-6K-FV & MV5721860-ID-10K-FV are oil filtering valves with indicator.**  
**This type of valve is designed to show visually when a filter element must be changed or cleaned.**  
**The indicator will react to the increasing pressure differential caused by increasing contamination of the filter element.**  
**This function will be guarantee Operational safety and/or efficient utilization of a filter element.**

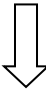



Ordering Ref : MV 5721860-ID-6K-FV



Ordering Ref : MV 5721860-ID-10K-FV

## Specification

<b>Working Media</b>	Oil	<b>Distinctions</b>  <b>Ordering Ref No : MV5721860-ID-6K-FV</b>  <b>Port Connection Size : IN &amp; OUT Ports : 3/8"-18NPT F ,Release : 1/8"-27NPT F</b>  <b>Max Working Pressure : 6,000psi(413.7bar)</b>  <b>Net Weight : 2.8kg</b>  <b>Ordering Ref No : MV5721860-ID-10K-FV</b>  <b>Port Connection Size : IN &amp; OUT Ports : 1/4"-18NPT F , Release : 1/8"-27NPT F</b>  <b>Max Working Pressure: 10,000psi(689.4bar)</b>  <b>Net Weight : 3.0kg</b>
<b>Temperature Range</b>	- 30°C to 120°C <i>Other Temperature Ranges available. Consult Factory</i>	
<b>Filter Element Material(Standard)</b>	<b>Stainless Steel</b> <i>Other Material Are Available, Consult Factory</i>	
<b>Micron Rating</b>	5 - 50 μ M(Microns)	
<b>Material(Valve Body)</b>	316L	
<b>Exterior Shape</b>	Circular Ø57.00mm(2 1/4")	
<b>Orifice Size</b>	Ø7.2mm ( 9/32")	
<b>Mounting Screw Hole(4x)</b>	Ø10.00mm( 25/64")	
<b>Flow Rate</b>	Cv = 1.8	
<b>Seal Material(Standard)</b>	<b>Nitrile Rubber (NBR)</b> <i>Other Seal Material are Available, Consult Factory</i>	

\*\* Measurement stated are with tolerance of +/-10%. Optional Parts/Material are available upon request.

## MACIS PTE LTD

Blk 3015A Ubi Road 1, #01-02 & #01-06 Kampong Ubi Industrial Estate, Singapore 408705  
 Email : [sales@macis.com.sg](mailto:sales@macis.com.sg) TEL : 65-6749 6011 / 65-6749 7882 FAX : 65-6749 1398