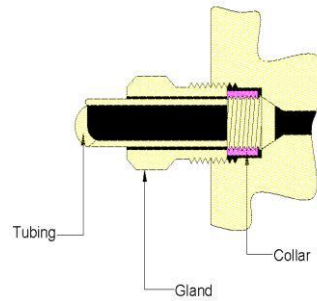
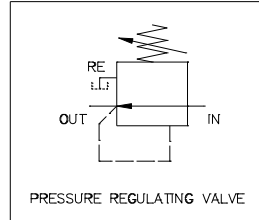
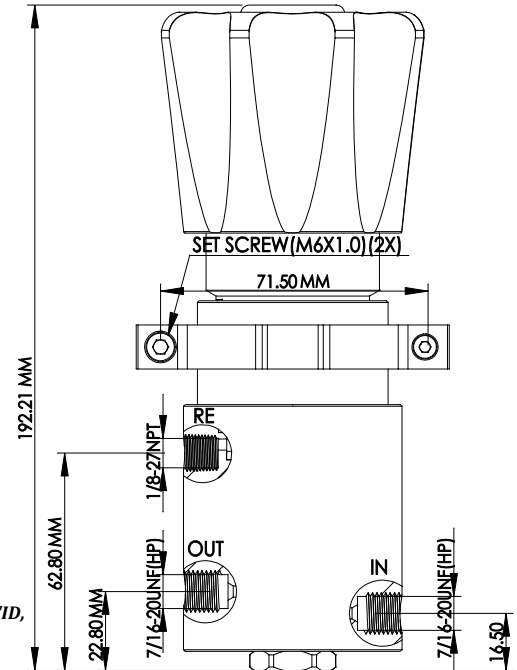


PRESSURE REGULATING VALVE

Valve Code: MV 794HP15K-10K-7/16R-S



Medium pressure tubing ,tubing size is 1/4" ODX0.109"ID, 1/4" Medium Pressure(LF4).



Ordering Ref : MV 794HP15K-10K-7/16R-S

Specification

Port Connection Size	Input: 7/16"-20UNF F Output: 7/16"-20UNF F Return:1/8"-27NPT F	Descriptions
Net Weight	2.8kg	<p><i>MV794HP15K-10K-7/16R-S is a 2-Position, Normally Open Self-Relieving Pressure regulator. A pressure regulator is a valve that used to reduce a high upstream pressure psi to a precisely decrease output pressure, and the pressure regulator will be provide stable output pressure for connect to outlet control circuit or control device operating.</i></p> <p><i>The pressure media enters the regulator through by IN port, turning the adjusting wheel clockwise will increase the spring exerted tension to increase the regulator output pressure, rotating the adjusting wheel counterclockwise will decrease the regulator output pressure, and this reduced output pressure will be maintained within a predetermined operating pressure range or limit.</i></p>
Working Media	Oil	
Working Pressure	Max Inlet Pressure:15,000 psi (1,034.2bar) Output Pressure Range: Service up to 10,000psi (689.5bar) , Optimum 800~10,000 psi (55.2~689.5bar)	
Temperature Range	- 30°C to 120°C <i>Other Temperature Ranges available. Consult Factory</i>	
Material(Valve Body)	316L	
Mounting Hole Size	Ø71.5mm (2 ¹³ / ₁₆ ")	
Adjusting Wheel Material	Polyamide <i>Other Material are available, Consult Factory</i>	
Orifice Size(Standard)	Ø2.4mm (³ / ₃₂ ")	
Flow Rate	Cv = 0.12	
Seal Material	Nitrile Rubber(NBR) <i>Other Material are available, Consult Factory</i>	

** Measurement stated are with tolerance of +/-10%. Optional Parts/Material are available upon request.

MACIS PTE LTD

Blk 3015A Ubi Road 1, #01-02 & #01-06 Kampong Ubi Industrial Estate, Singapore 408705

Email : sales@macis.com.sg