



PILOT VALVE WITH INDICATING (Auto Reset Type)

www.macis.com.sg

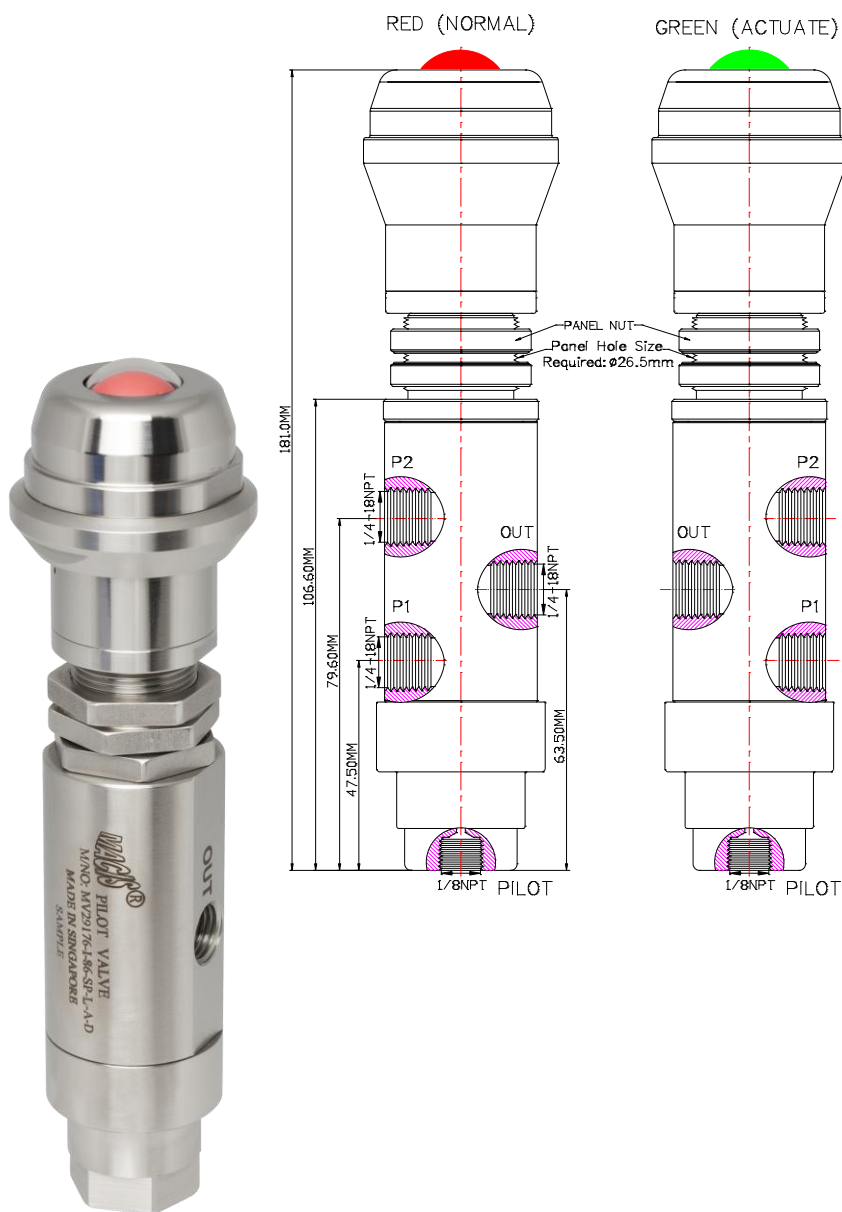
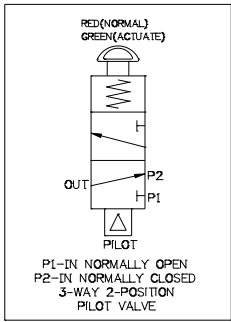
Valve Operation

MV29176-I-86-SP-L-A-D & MV29178-I-86-SP-L-A-D are 3 Way 2-Position, Universal operation, 2-Color indicating pilot valves, auto reset type.

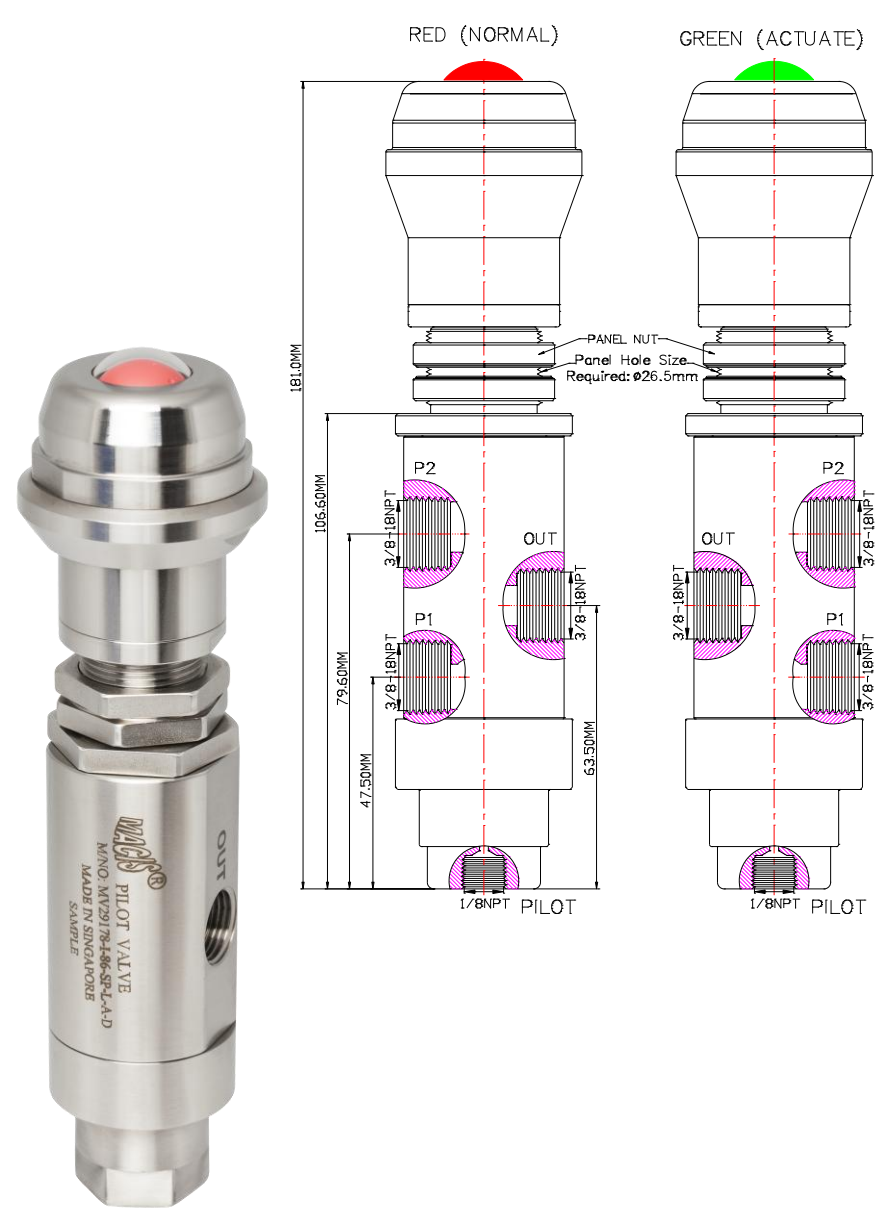
Apply pilot pressure to open valve, spring return upon loss of pilot pressure.

The valve provided with a pressure indicator appears **Green** when there is pilot pressure present in the pilot chamber, showing open position. The pressure indicator appears **Red** when there is no pressure in the pilot chamber or the pilot pressure drop to below than 16 psi (1.1bar), at which point the valve will spring return to closed position.

***Note:** Valve is a universal operation, when select P2 port as IN port, the valve is normally closed. When select P1 port as IN port the valve is normally open.



Ordering Ref : MV 29176-I-86-SP-L-A-D



Ordering Ref : MV 29178-I-86-SP-L-A-D

Specification

Control Application	3-Way 2-Position, Universal Operation 2-Color Indicating Pilot Valve, Auto Reset Type	Distinctions
Working Media	Air	
Net Weight	1.1kg	Ordering Ref no
Pilot Pressure Range	30 - 200 PSI (2.1 – 13.7 bar)	Port Connection Size
Max Working Pressure	200 PSI (13.7bar)	Exterior Shape
Temperature Range	- 30°C to 120°C <i>Other Temperature Ranges available. Consult Factory</i>	MV 29176-I-86-SP-L-A-D : P1, P2 & OUT Ports: 1/4 "NPT F Pilot Port : 1/8" NPT F
Material(Valve Body)	316 L	MV 29178-I-86-SP-L-A-D : P1, P2 & OUT Ports : 3/8" NPT F Pilot Port : 1/8" NPT F
Panel Hole Size	Ø 26.5 mm (1 3/64")	
Seal Material	Viton(FKM) <i>Other Seal Material Available Upon Request</i>	
Indicator	Standard Part	
Color(Indicating)	Red & Green	
Flow Rate	Cv = 1.65	

** Measurement stated are with tolerance of +/-10%. Optional Parts/Material are available upon request.

MACIS PTE LTD

Blk 3015A Ubi Road 1, #01-02 & #01-06 Kampong Ubi Industrial Estate, Singapore 408705
Email : sales@macis.com.sg TEL : 65-6749 6011 / 65- 6749 7882 FAX : 65-6749 1398