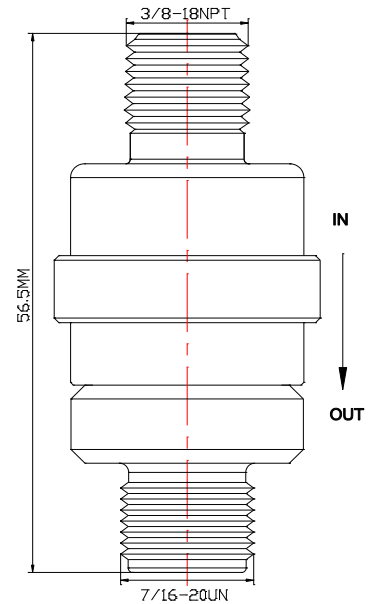
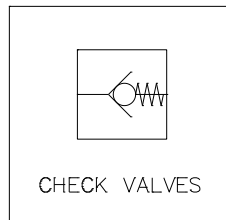




www.macis.com.sg

# CHECK VALVE

Valve Code: MV 4298313-H



Ordering Ref : MV 4298313-H (Without Ferrule & Nuts)

MV 4298313H-O1/4OD (With Ferrule & Nuts)

## Specification

Control Application	Directional Flow( In the open position to allow forward flow and closed position to block reverse flow)	<b>Description</b>  <i>MV4298313-H is a 2-way 2-position, spring biased poppet operated flow control device (valve). It allows <u>fluid</u> to flow through it in only one direction (inlet to outlet), and by spring assisted poppet positioning to closing in response to backflow or insufficient forward pressure.</i>
Port Connection Size	<b>IN</b> Port: 3/8"-18NPT M <b>OUT</b> Port: 7/16"-20UN M	
Net Weight	110 gm	
Working Media	Oil	
Max Working Pressure	10,000 PSI (689.4 bar)	
Cracking Pressure	1 to 3 PSI (0.068 to 0.206bar)	
Temperature Range	- 30°C to 120°C <i>Other Temperature Ranges available. Consult Factory</i>	
Material(Valve Body)	316 L	
Exterior Shape	Hexagon A/F25.4mm ( 1" )	
Orifice Size	Ø4.8mm ( 3/16" )	
Flow Rate	Cv = 0.83	
Seal Material	Nitrile Rubber (NBR) <i>Other Material Are Available upon request.</i>	

\*\* Measurement stated are with tolerance of +/-10%. Optional Parts/Material are available upon request.

MACIS PTE LTD

Blk 3015A Ubi Road 1, #01-02 & #01-06 Kampong Ubi Industrial Estate, Singapore 408705

Email : sales@macis.com.sg