



www.macis.com.sg

RELIEF VALVE

Model: MV 9465C-10KH (Pressure Range 5,000-10,000psi)

Descriptions

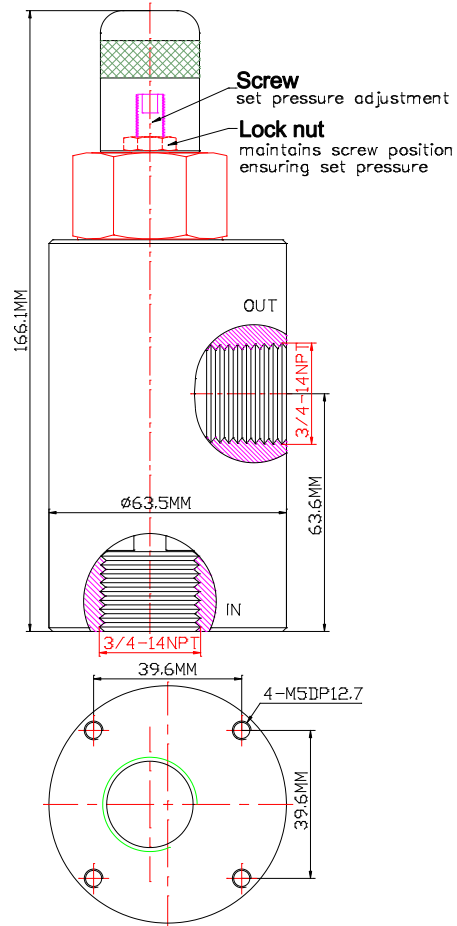
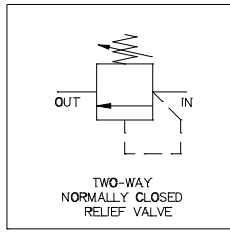
Relief valves (Pressure Safety Valves) are designed or set to open at a predetermined set pressure to protect other equipment from being subjected to pressures that exceed their design limits.

The pressure media enters the relief valve, turning the spring housing clockwise will increase the relief valve pressure setting. Rotating the spring housing counterclockwise will decrease the relief valve pressure setting. When the set pressure is exceeded, the valve is forced open. They have excellent pressure relief and reset repeatability.

—Leak tight when 90% of "set pressure" is applied.

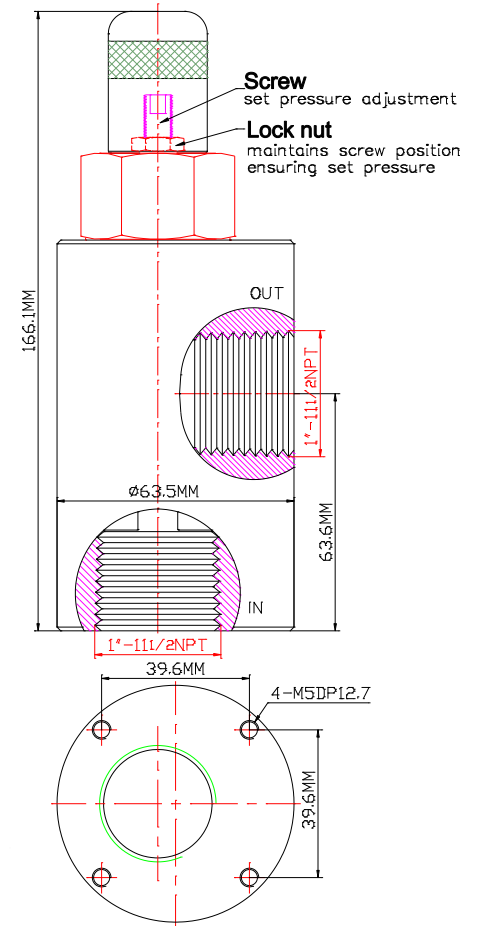
—Repeatability ±5% of "set pressure".

—Re-seating within 20-30% of "cracking pressure". State details when ordering.



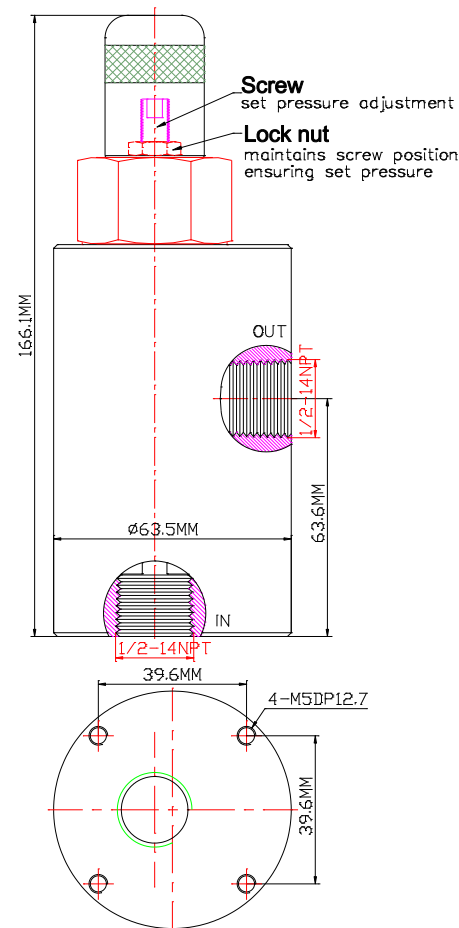
Ordering Ref : MV9465C-10KH-I3/4NPTF-O3/4NPTF

Corresponding to: MV 9462613-3/4-V-10K-H



Ordering Ref : MV9465C-10KH-I1"NPTF-O1"NPTF

Corresponding to: MV 9462613-1"NPT-V-10K-H



Ordering Ref : MV9465C-10KH-I1/2NPTF-O1/2NPTF

Corresponding to: MV 9462613-1/2-V-10K-H

MACIS PTE LTD

Blk 3015A Ubi Road 1, #01-02 & #01-06 Kampong Ubi Industrial Estate, Singapore 408705
Email : sales@macis.com.sg TEL : 65-6749 6011 / 65-6749 7882 FAX : 65-6749 1398

Specification

Control Application	2-Way, Two Position Normally Closed, Spring / Poppet Operated Used to control or limit the pressure in a system
Pressure Range	5,000-10,000 PSI (344.8-689.5 bar)
Orifice Size	Ø 9.0 mm ($\frac{23}{64}$ ")
Flow Rate	Cv = 2.6
Exterior Shape	Circular Ø63.5mm(2 $\frac{1}{2}$ ")
Net Weight	2.8 KG
Working Media	Oil
Temperature Range	- 30°C to 120°C <i>Other Temperature Ranges available. Consult Factory</i>
Material(Valve Body)	316 L
Seal Material	Nitrile Rubber(NBR) <i>Other seal material are available upon request</i>
Options	Body Material and end connections other option available upon request

Distinctions

Ordering Ref No : MV 9465C-10KH-I3/4NPTF-O3/4NPTF



Port Connection Size : IN & OUT Ports 3/4"-18NPTF F

Ordering Ref No : MV 9465C-10KH-I1/2NPTF-O1/2NPTF



Port Connection Size : IN & OUT Ports 1/2"-14NPTF F

Ordering Ref No : MV 9465C-10KH-I1"NPTF-O1"NPTF F



Port Connection Size : IN & OUT Ports 1"-11 1/2NPTF F

** Optional Parts/Material are available upon request.