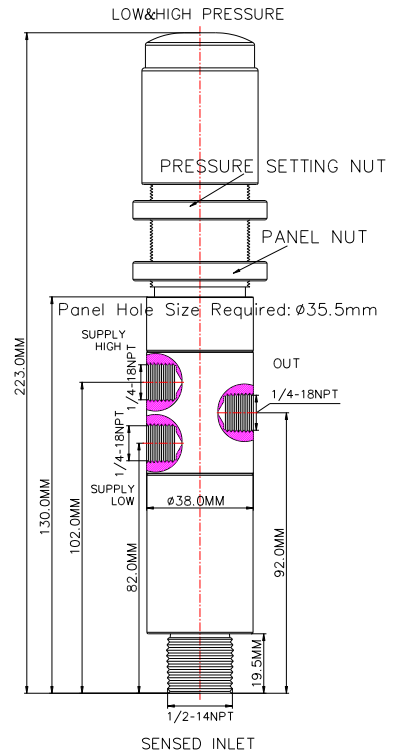
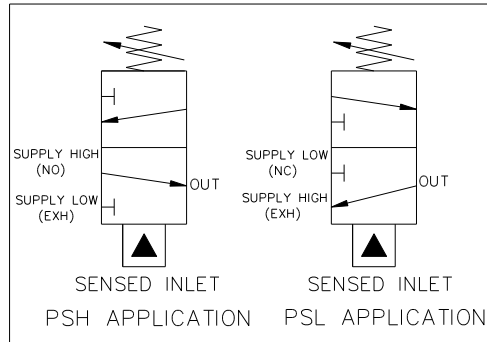




www.macis.com.sg

HIGH / LOW PRESSURE SENSOR

Valve Code: MV 2681666H-MIS825



Ordering Ref : MV 2681666H-MIS825

Specification

PRESSURE ADJUSTMENT RANGE (PSI)

A	B	C	D	E	F	G	H	I	J
25-100	50-180	80-300	180-450	250-900	500-2,000	1,000-4,000	3,000-6,000	5,000-8,000	7,000-10,000

NOTE: User Need To Provide Accurate Pressure Setting When Ordering

Control Application	Low Pilot (PSL) Normally Closed High Pilot (PSH) Normally Open	<p>Description</p> <p>The High/low pressure sensor (MV2681666H-MIS825) used to respond to predetermined pressure settings within safety control systems, they initiate instrument sequencing to safeguard facilities upon detection of abnormal operational pressure.</p> <p>Used in the pressure safety low mode (PSL), there are 3-way functions as normally closed, block and bleed control.</p> <p>When used in the pressure safety high mode(PSH), there are 3-way functions as normally open, block and bleed control</p>
Port Size	Sensed IN:1/2"-14NPT M , OUT:1/4"-18NPT F H/L Pressure Control Port: 1/4"-18NPT F	
Net Weight	1.4 kg	
Working Media	Oil	
Max Working Pressure	Control Ports: 150PSI (10.3bar) Flow Line: 10,000PSI (689.5bar)	
Temperature Range	- 30°C to 120°C <i>Other Temperature Ranges available. Consult Factory</i>	
Panel Hole Size	Ø 35.5mm(1 25/64 ")	
Material (Valve Body)	316L (Cap & Nuts) Alloy 825 (working media contact area, cover inlet & signal ports)	
Seal Material	Viton(FKM) <i>Other Seal Material Are Available Upon Request</i>	

** Optional Parts/Material are available upon request.

MACIS PTE LTD

Blk 3015A Ubi Road 1, #01-02 & #01-06 Kampong Ubi Industrial Estate, Singapore 408705

Email : sales@macis.com.sg