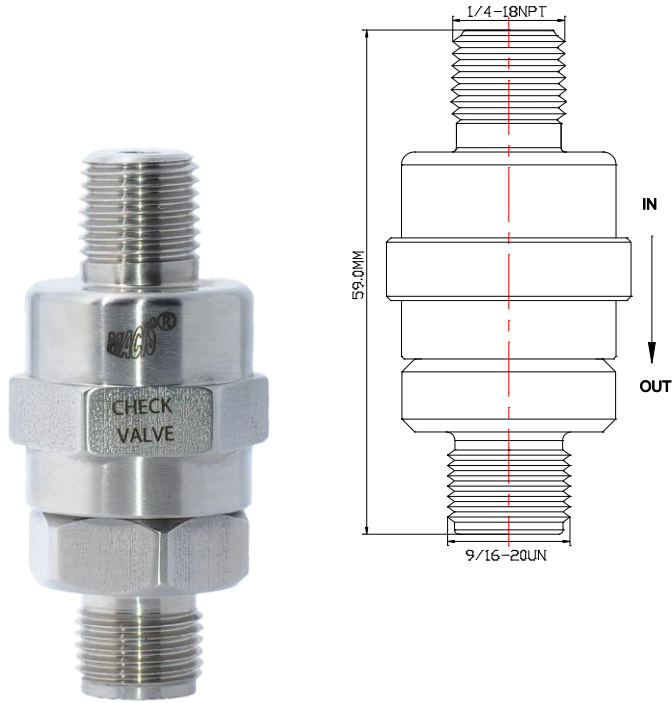
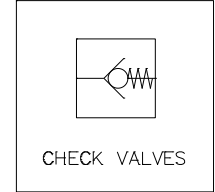


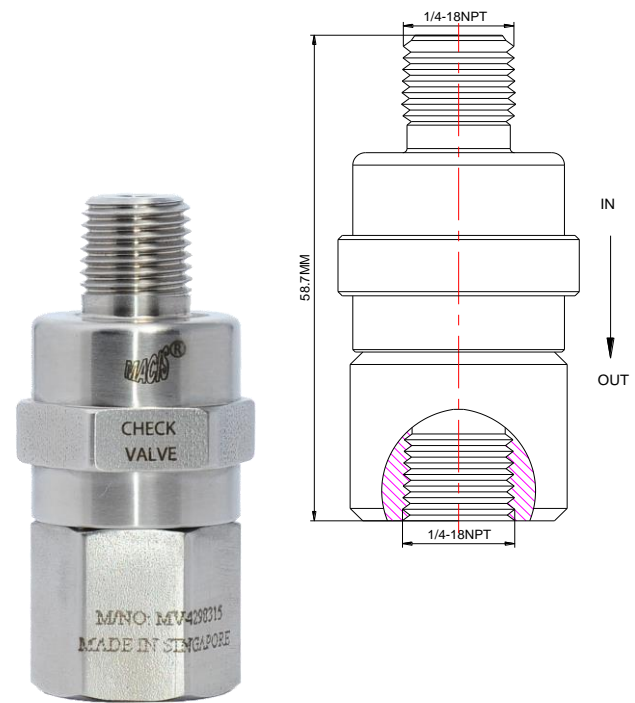
CHECK VALVE

Description

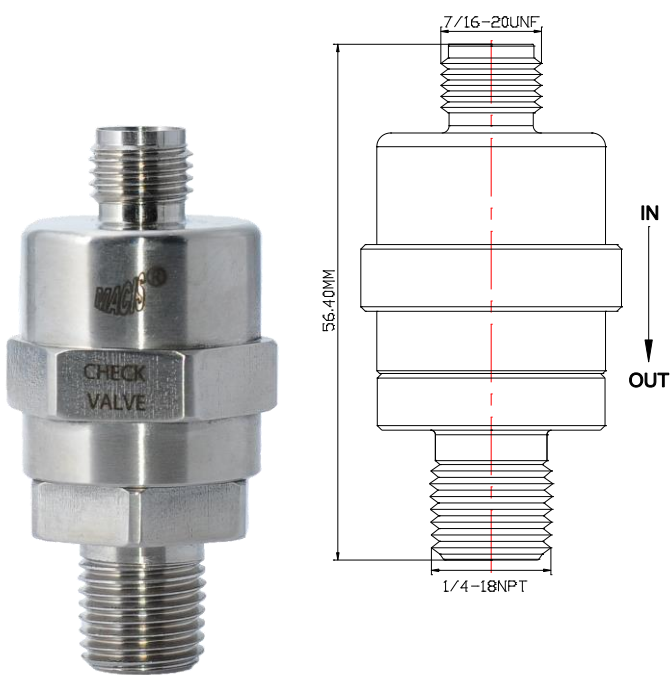
Check valve allows **gas fluid** to flow through it in only one direction (inlet to outlet), and by spring assisted poppet positioning to closing in response to backflow or insufficient forward pressure.



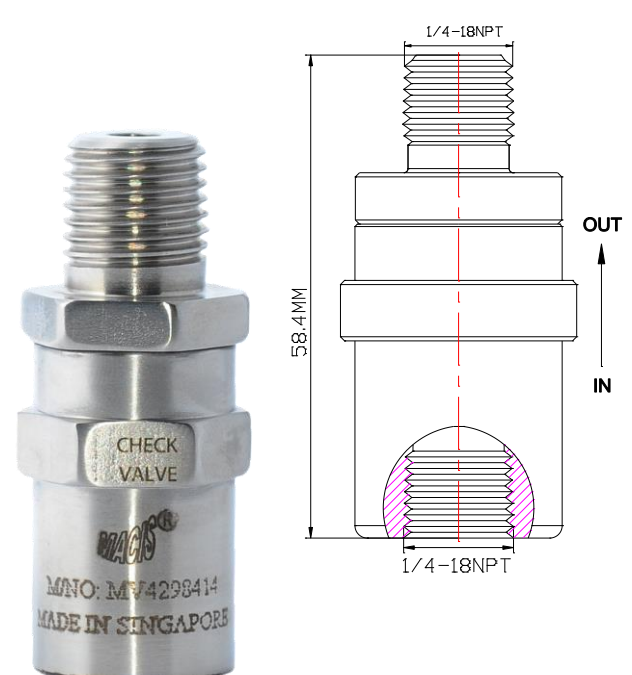
Ordering Ref : **MV 4298312-L** (Without Ferrule & Nuts)
MV 4298312L-O3/8OD (With Ferrule & Nuts)



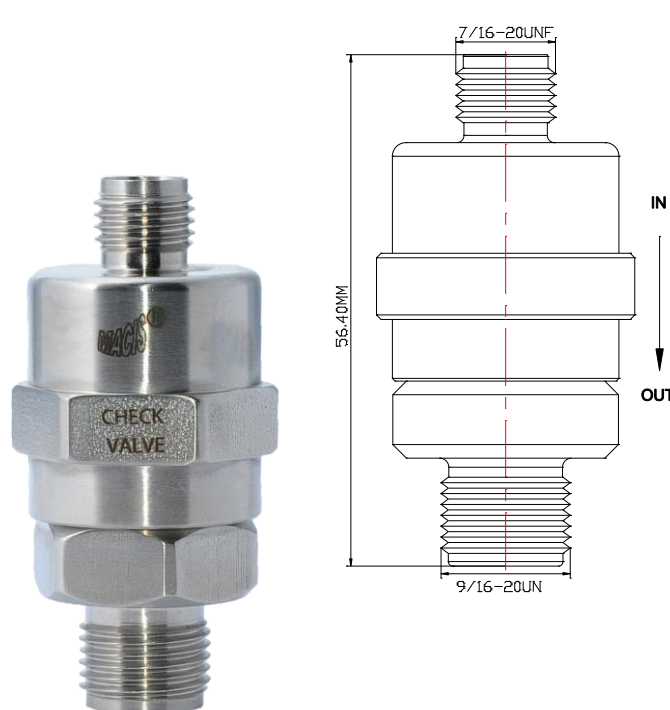
Ordering Ref : **MV 4298315-L**



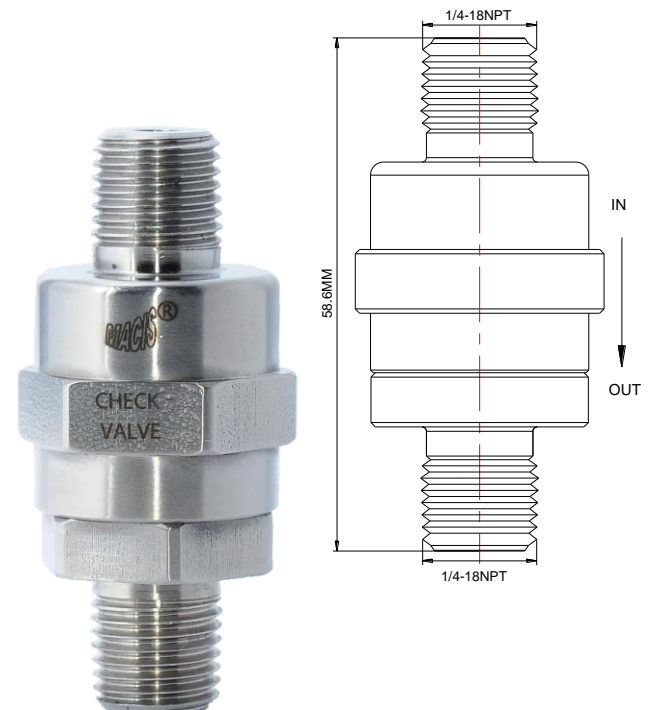
Ordering Ref : **MV 4298331-L** (Without Ferrule & Nuts)
MV 4298331L- I1/4OD (With Ferrule Nuts)



Ordering Ref : **MV 4298414-L**



Ordering Ref : **MV 4298332-L** (Without Ferrule & Nuts)
MV 4298332L- I1/4OD- O3/8OD (With Ferrule & Nuts)



Ordering Ref : **MV 4298311-L**

Specification

Control Application	Directional Flow(In the open position to allow forward flow and closed position to block reverse flow)
Working Media	Air
Max Working Pressure	10,000psi (689.4 bar)
Cracking Pressure	1 to 3 PSI (0.068 to 0.206bar) <i>Other Cracking Pressure are Available upon request</i>
Temperature Range	- 30°C to 120°C <i>Other Temperature Ranges available. Consult Factory</i>
Material(Valve Body)	316 L
Exterior Shape	Hexagon A/F25.4mm (1")
Orifice Size	Ø4.8mm ($\frac{3}{16}$ ")
Seal Material	Viton(FKM) <i>Other Seal Material are Available Upon Request</i>
Flow Rate	Cv = 0.83

Distinctions

<u>Ordering Ref no</u>	<u>Port Connection Size</u>	<u>Net Weight</u>
MV 4298311-L :	IN & OUT Ports : $\frac{1}{4}$ "-18NPT M	110gm
MV 4298312-L :	IN Port : $\frac{1}{4}$ "-18NPT M, OUT Port : $\frac{9}{16}$ "-20UN M	110 gm
MV 4298315-L :	IN Port : $\frac{1}{4}$ "-18NPT M, out Port : $\frac{1}{4}$ "-18NPT F	140gm
MV 4298331-L :	IN Port : $\frac{7}{16}$ "-20UNF M, OUT Port : $\frac{1}{4}$ "-18NPT M	110gm
MV 4298332-L :	IN Port : $\frac{7}{16}$ "-20UNF M, OUT Port : $\frac{9}{16}$ "-20UN M	110gm
MV 4298414-L :	IN Port : $\frac{1}{4}$ "-18NPT F, OUT Port : $\frac{1}{4}$ "-18NPT M	660gm

* Measurement stated are with tolerance of +/-10%. Optional Parts/Material are available upon request.