

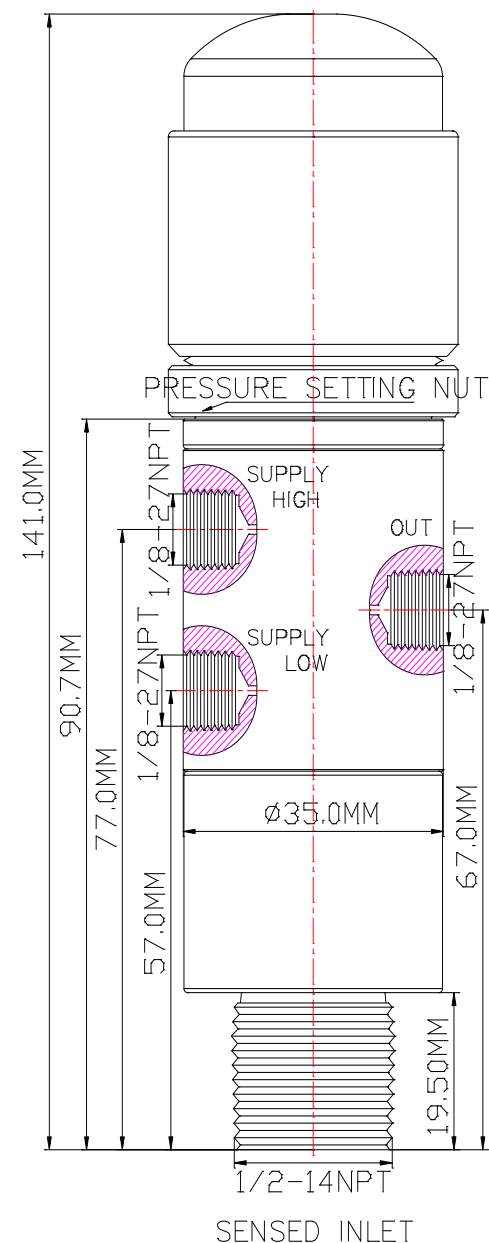
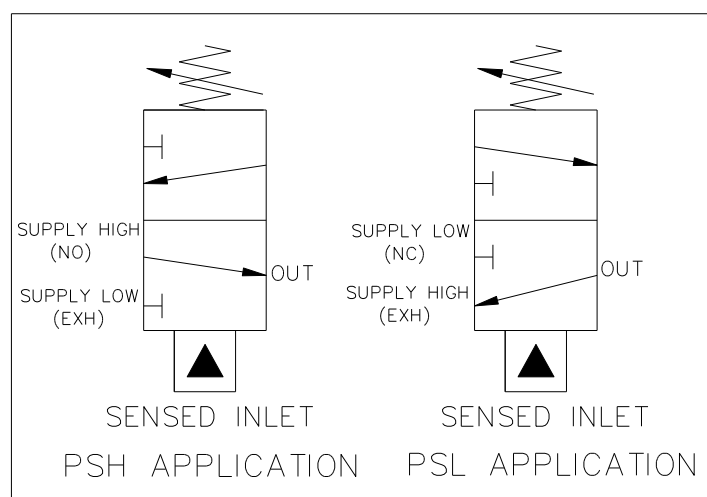


www.macis.com.sg

HIGH / LOW PRESSURE SENSOR

Descriptions

The High/low pressure sensor (MV2681661-H) used to respond to predetermined pressure settings within safety control systems, they initiate instrument sequencing to safeguard facilities upon detection of abnormal operational pressure. Used in the pressure safety low mode (PSL), there are 3-way functions as normally closed, block and bleed control. When used in the pressure safety high mode (PSH), there are 3-way functions as normally open, block and bleed control



Ordering Ref : MV 2681661-H

Specification

PRESSURE ADJUSTMENT RANGE (NOTE: User Need To Provide Accurate Pressure Setting When Ordering)

A	B	C	D	E	F	G	H
30-100psi	50-180psi	80-250psi	200-500psi	400-850psi	800-2,600psi	2,500-3,600psi	3,500-6,000psi

Control Application	Low Pilot (PSL) Normally Closed High Pilot (PSH) Normally Open
Port Size	Sensed IN1/2"-14NPT M , OUT1/8"-27NPT F H/L Pressure Control Port: 1/8"-27NPT F
Net Weight	0.9 kg
Working Media	Oil
Max Working Pressure	Control Ports: 150PSI (10.3bar) Flow Line: 6,000PSI (413.7bar)
Temperature Range	- 30°C to 120°C <i>Other Temperature Ranges available. Consult Factory</i>
Panel Hole Size	Ø 35.5mm (1 25/64 ")
Material(Valve Body)	316L
Seal Material	Nitrile Rubber (NBR) <i>Other Seal Material Are Available Upon Request</i>

** Optional Parts/Material are available upon request.

MACIS PTE LTD

Blk 3015A Ubi Road 1, #01-02 & #01-06 Kampong Ubi Industrial Estate, Singapore 408705
Email : sales@macis.com.sg TEL : 65-6749 6011 / 65-6749 7882 FAX : 65-6749 1398