



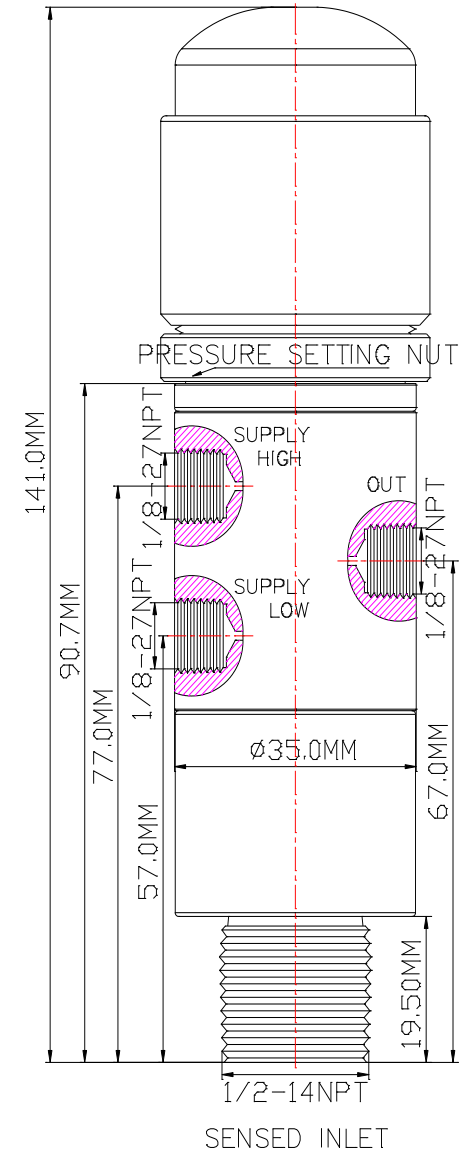
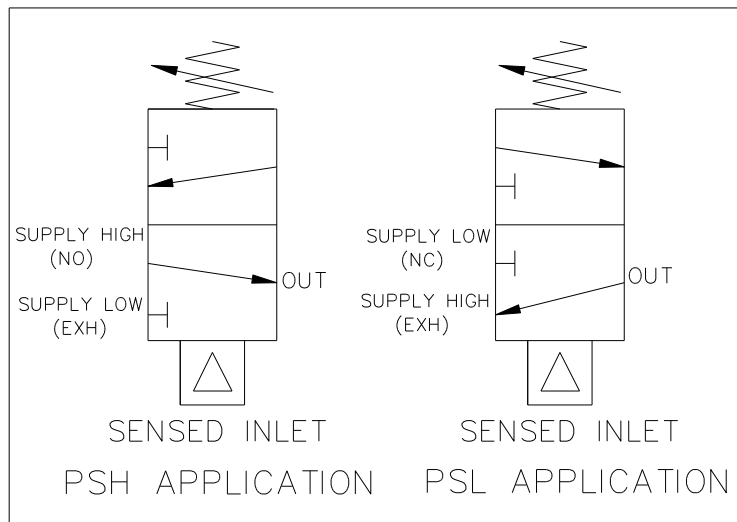
www.macis.com.sg

HIGH / LOW PRESSURE SENSOR

Descriptions

MV2681661-L is a 3-Way 2-Position pilot with universal ports, automatic reset (spring return) pressure sensor. The pressure sensor used to initiate instrument sequencing to safeguard facilities upon detection of abnormal operational pressure, it also can be programmed to detect and react to either increasing pressure or decreasing pressure with an adjustable range of **30 to 6,000 psi**.

Used in the pressure safety low mode (PSL), there are 3-way functions as **normally closed**, block and bleed control. When used in the pressure safety high mode (PSH), there are 3-way functions as **normally open**, block and bleed control.



Ordering Ref : MV 2681661-L

Specification

PRESSURE ADJUSTMENT RANGE (NOTE: User Need To Provide Accurate Pressure Setting When Ordering)

A	B	C	D	E	F	G	H
30-100psi	50-180psi	80-250psi	200-500psi	400-850psi	800-2,600psi	2,500-3,600psi	3,500 -6,000psi

Port Size	Sensed IN : 1/2" - 14NPT M , OUT : 1/8" - 27NPT F H/L Pressure Control Port : 1/8"-27NPT F
Net Weight	0.9 kg
Working Media	Air
Max Working Pressure	Control Ports: 150 PSI (10.3 bar) Flow Line: 6,000 PSI (413.7 bar)
Temperature Range	- 30°C to 120°C <i>Other Temperature Ranges available. Consult Factory</i>
Panel Hole Size	Ø 35.5mm (1 25/64 ")
Material(Valve Body)	316L
Seal Material	Viton(FKM) <i>Other Material are available, Consult Factory</i>

* Optional Parts/Material are available upon request.

MACIS PTE LTD

Blk 3015A Ubi Road 1, #01-02 & #01-06 Kampong Ubi Industrial Estate, Singapore 408705
Email : sales@macis.com.sg Tel : 65-6749 6011 / 65- 6749 7882 FAX : 65-6749 1398