

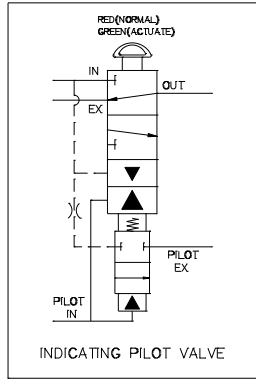


www.macis.com.sg

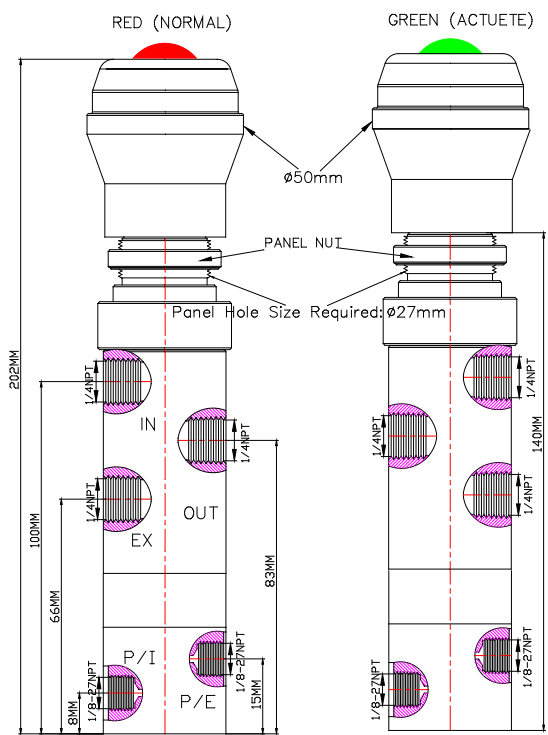
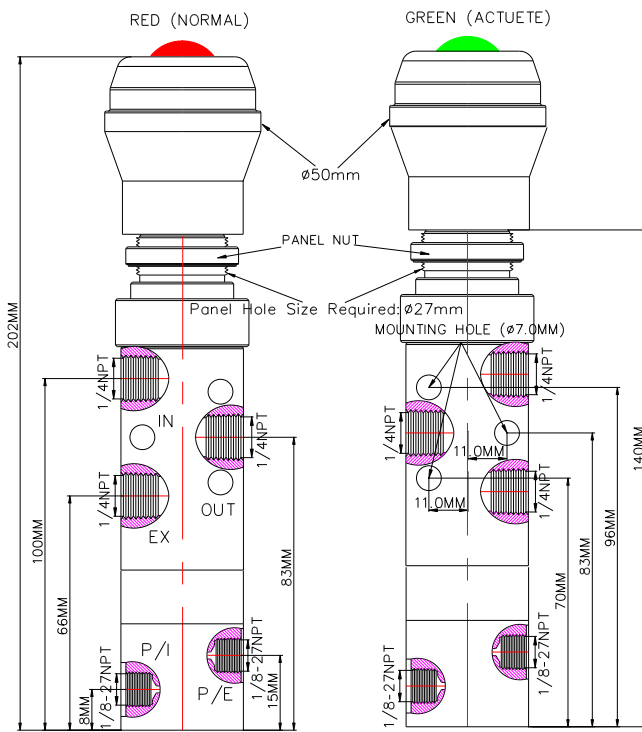
INDICATING VALVE (RECEIVING TYPE)

Principle Of Operation

When the indicator appears **Red** showing normal closed status, the inlet will be block, the outlet connect to the exhaust, When the inlet pressure and pilot pressure are in the operate pressure range, the indicator appears **Green**, the inlet connect to the outlet. The indicator will be keeping on green when the inlet and/or pilot pressure loss.



INDICATING PILOT VALVE



Ordering Ref : MV2917-I-NS-12H-A-R

Ordering Ref : MV2917-I-NS-12H-A-R-D

Specification

Control Application	3-Way 2-Position, Normally Closed 2-Color Pilot Monitoring Valve, Auto Reset Type
Port Connection Size	IN, OUT & EX Ports: 1/4"-18 NPT F Pilot Port: 1/8"-27NPT F
Panel Hole Size	Ø 27 mm (1 1/16 ")
Net Weight	1.4 KG
Working Media	Oil
Pilot Pressure Range	40 - 120 PSI (2.8 - 13.7bar)
Max Working Pressure	200 PSI (13.7bar)
Temperature Range	- 30°C to 120°C <i>Other Temperature Ranges available. Consult Factory</i>
Material(Valve Body)	316 L
Seal Material(Standard)	Nitrile Rubber(NBR) <i>Other Seal Material are Available Upon Request</i>
Indicator	Standard Part
Color (Indicating)	Red & Green
Flow Rate	Cv = 1.6

Distinctions

Ordering Ref No : MV2917-I-NS-12H-A-R



Exterior Shape : Hexagon A/F35.0mm(1 3/8 ")

Mounting Hole : Ø7.0mm(9/32 ")

Ordering Ref No : MV2917-I-NS-12H-A-R-D



Exterior Shape : Circular Ø 38.1 mm (1 1/2 ")

Mounting Hole : Without

** Measurement stated are with tolerance of +/-10%. Optional Parts/Material are available upon request.

MACIS PTE LTD

Blk 3015A Ubi Road 1, #01-02 & #01-06 Kampong Ubi Industrial Estate, Singapore 408705
Email : sales@macis.com.sg TEL : 65-6749 6011 / 65-6749 7882 FAX : 65-6749 1398