



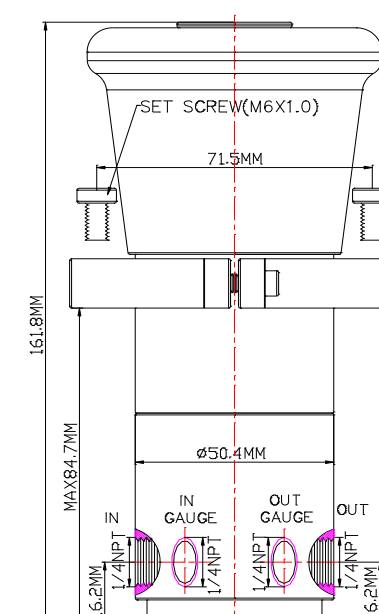
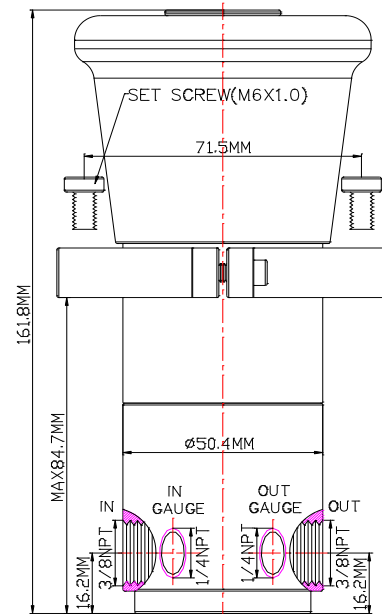
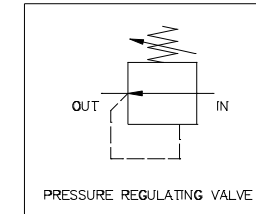
www.macis.com.sg

PRESSURE REGULATING VALVE

Descriptions

MV794LP6K-1K-3/8 / (1/4) G-S is a 2-Position, Normally Open *without Self-Relieving* Pressure regulator. A pressure regulator is a valve that used to reduce a high upstream pressure to a precisely decrease output pressure, and the pressure regulator will be provide stable output pressure for connect to outlet control circuit or control device operating.

The pressure media enters the regulator through by IN port, turning the adjusting wheel *clockwise* will increase the spring exerted tension to *increase* the regulator *output pressure*, rotating the adjusting wheel *counterclockwise* will *decrease* the regulator *output pressure*, and this reduced output pressure will be maintained within a predetermined operating pressure range or limit.



Ordering Ref : MV 794HP6K-1K-3/8G-S

Ordering Ref : MV 794HP6K-1K-1/4G-S

Specification

Control Application	2-Position, Normally Open Without Self - Relieving To precisely reduce a high upstream pressure and provide stable pressure for application
Net Weight	2.1 kg
Working Media	Oil
Working Pressure	Max Inlet Pressure: Services up to 10,000psi (689.4bar), Optimum 6,000psi (413.7bar) Output Pressure Range: 0-1,000psi (0-68.9bar)
Temperature Range	- 30°C to 120°C <i>Other Temperature Ranges available. Consult Factory</i>
Material(Valve Body)	316L
Adjusting Wheel Material	Polyamide <i>Other Material available, Consult Factory</i>
Mounting Hole Size	Ø71.5mm (2 13/16 ")
Orifice Size	Ø2.8mm (7/64 ")
Flow Rate	Cv = 0.2
Seal Material	Nitrile Rubber(NBR) <i>Other Material are available, Consult Factory</i>

Distinctions

Ordering Ref No : MV 794HP6K-1K-3/8G-S



Port Connection Size : IN & OUT Ports: 3/8"-18NPT F, Gauge: 1/4"-18NPT F

Ordering Ref No : MV 794HP6K-1K-1/4G-S



Port Connection Size : IN & OUT Ports: 1/4"-18NPT F, Gauge: 1/4"-18NPT F

** Measurement stated are with tolerance of +/-10%. Optional Parts/Material are available upon request.

MACIS PTE LTD

Blk 3015A Ubi Road 1, #01-02 & #01-06 Kampong Ubi Industrial Estate, Singapore 408705
Email : sales@macis.com.sg Tel : 65-6749 6011 / 65-6749 7882 Fax : 65-6749 1398