



www.macis.com.sg

# RELIEF VALVE

Model: MV 9464C-40KH (Pressure Range **25,000-40,000psi**)

## Descriptions

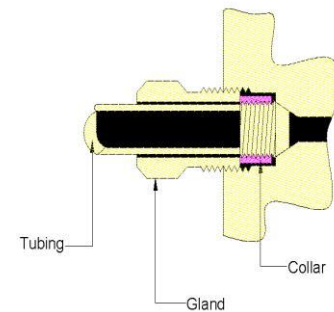
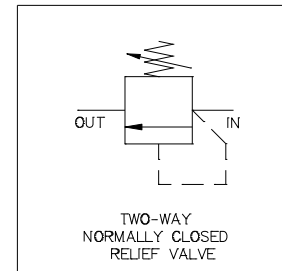
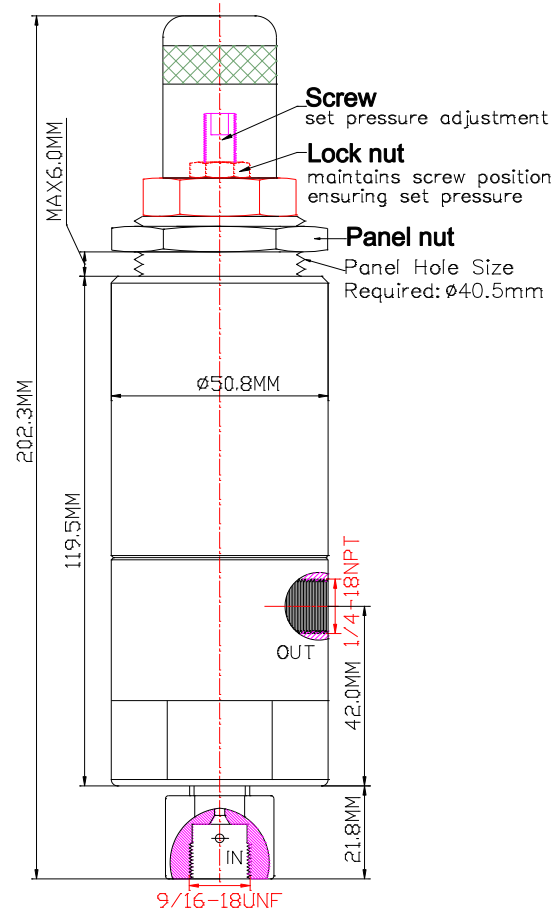
Relief valves (Pressure Safety Valves) are designed or set to open at a predetermined set pressure to protect other equipment from being subjected to pressures that exceed their design limits.

The pressure media enters the relief valve, turning the spring housing clockwise will increase the relief valve pressure setting. Rotating the spring housing counterclockwise will decrease the relief valve pressure setting. When the set pressure is exceeded, the valve is forced open. They have excellent pressure relief and reset repeatability.

—Leak tight when 90% of “set pressure” is applied.

—Repeatability ±5% of “set pressure”.

—Re-seating within 20-30% of “cracking pressure”. State details when ordering.



Medium pressure tubing, tubing size is 1/4" ODX0.109"ID, 1/4" Medium Pressure(LF4)

Ordering Ref : MV9464C-40KH-I9/16UNFF-O1/4NPTF

Corresponding to: MV9462554-H

## Specification

Control Application	2-Way, Two Position Normally Closed, Spring / Poppet Operated Used to control or limit the pressure in a system
Port Connection Size	<b>IN</b> Port:9/16"-18UNF(Parallel) "F" <b>OUT</b> Port:1/4"-18NPT(Taper) "F"
Pressure Range	<b>25,000-40,000 PSI (1,723.8-2,758.0 bar)</b>
Orifice Size	Ø 2.4 mm (3/32")
Flow Rate	Cv = 0.22
Panel Hole Size	Ø40.5mm (1 19/32")
Net Weight	2.0 KG
Exterior Shape	Circular Ø50.8mm (2")
Working Media	Oil
Temperature Range	- 30°C to 120°C <i>Other Temperature Ranges available. Consult Factory</i>
Material(Valve Body)	316 L
Seal Material	Nitrile Rubber(NBR) <i>Other seal material are available upon request</i>
Options	Body Material and end connections other option available upon request

\*\* Optional Parts/Material are available upon request.

MACIS PTE LTD

Blk 3015A Ubi Road 1, #01-02 & #01-06 Kampong Ubi Industrial Estate, Singapore 408705  
Email : [sales@macis.com.sg](mailto:sales@macis.com.sg) Tel : 65-6749 6011 / 65-6749 7882 Fax : 65-6749 1398