

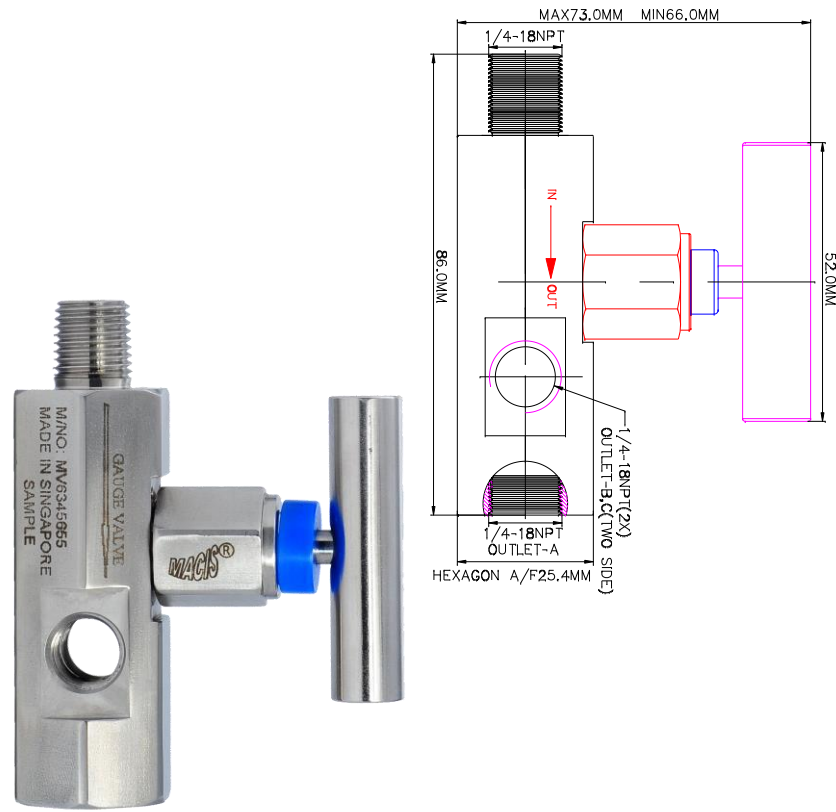


www.macis.com.sg

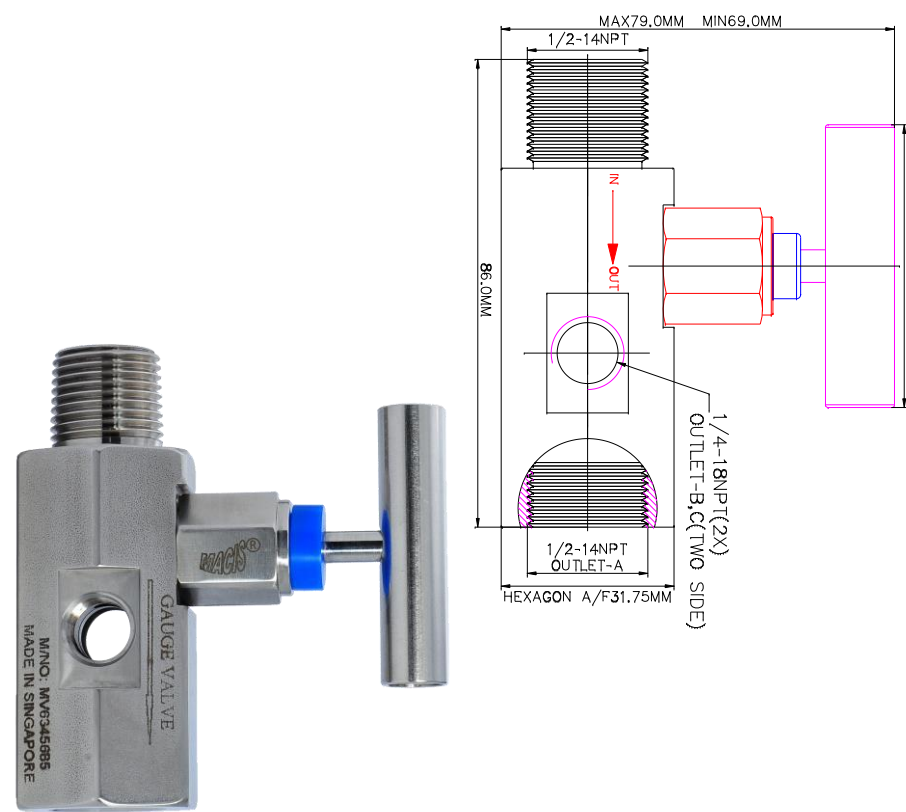
# (MULTI-PORT) GAUGE VALVE

## Descriptions

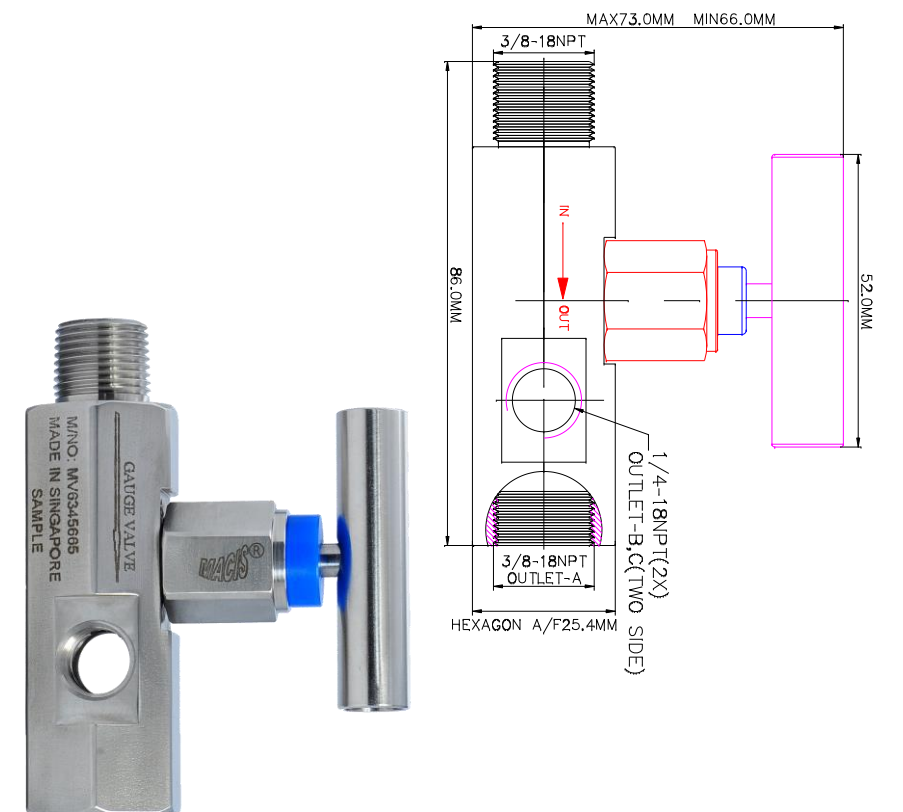
Multi-port gauge valves are designed to be used with gauge mounting and other instrument tie-ins in the process industries, without requiring additional penetrations of the main piping. Valve with male inlet connection is available threaded or prepared for welding and with either standard or extended inlets.



Ordering Ref : MV 6345655-H



Ordering Ref : MV 6345685-H



Ordering Ref : MV 6345665-H

## Specification

Control Application	universal use wherever more than one outlet is require
Working Media	Oil
Max Working Pressure	6,000psi(413.7 bar)
Temperature Range	- 30°C to 120°C <i>Other Temperature Ranges available. Consult Factory</i>
Material(Valve Body)	316 L
Seal Material	Nitrile Rubber (NBR) <i>Other Seal Material Are Available Upon Request</i>
Options	Body Material and end connections other option available upon request

## Distinctions

Ordering Ref No	Prot Connection Size	Net Weight	Orifice Size	Flow Rate
MV 6345655-H :	IN Port : 1/4"-18NPT M , OUT Ports – (A,B&C) :1/4"-18NPT F	365gm	Ø5.0mm (13/64")	Cv = 0.9
MV 6345685-H :	IN Port : 1/2"-14NPT M, OUT Ports	500gm	Ø6.0mm (15/64")	Cv = 1.3
	-A : 1/2"-14NPT F -B & C : 1/4"-18NPT F			
MV 6345665-H :	IN Port : 3/8"-18NPT M, OUT Ports	365gm	Ø5.0mm (13/64")	Cv = 0.9
	-A : 3/8"-18NPT F -B & C : 1/4"-18NPT F			

\*\*Measurement stated are with tolerance of +/-10%. Optional Parts/Material are available upon request.

MACIS PTE LTD

Blk 3015A Ubi Road 1, #01-02 & #01-06 Kampong Ubi Industrial Estate, Singapore 408705  
Email : [sales@macis.com.sg](mailto:sales@macis.com.sg) TEL : 65-6749 6011 / 65-6749 7882 FAX : 65-6749 1398