



www.macis.com.sg

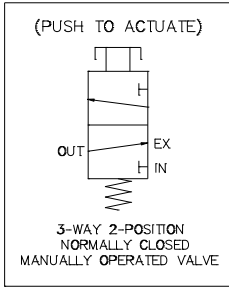
MANUAL OPERATED VALVE

Valve Operation

MV29179-S55H-PS-C & MV29179-N55H-PS-C are 3 Way 2-Position, Normally closed, Manual push to actuate (Palm button with spring return) manual operated valves, auto reset type.

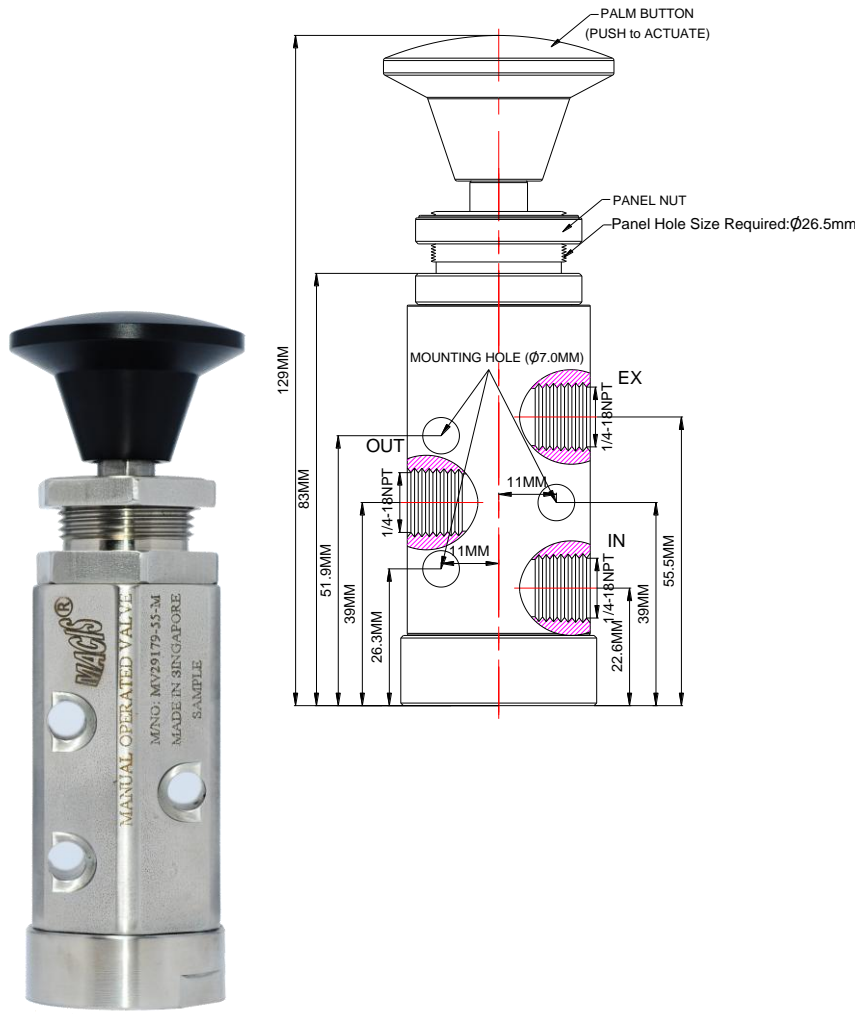
To open the valve, push the palm button to actuate, the valve as per status table (state2). Supply pressure from IN port to OUT port and Block at EX port.

To close the valve, release the palm button, the valve will be spring return to close as per Status table (state 1). The IN port will be block, and the working pressure will vent from Out port to EX port.

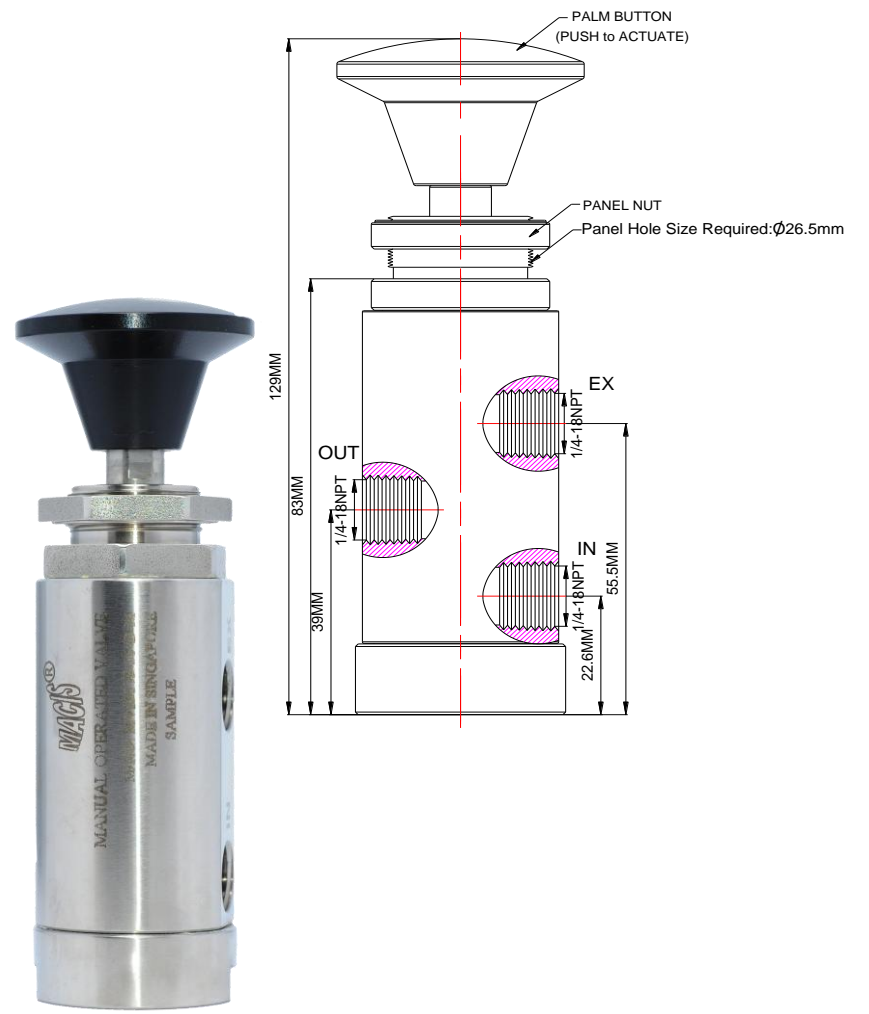


Flow Control Status Table

STATE	IN	OUT	EX	Palm Button
1	-	O	O	Release
2	O	O	-	Push



Ordering Ref : MV29179-S55H-PS-C
Corresponding to: MV2917955-M



Ordering Ref : MV29179-N55H-PS-C
Corresponding to: MV2917955-D-M

Specification

Control Application	3-Way 2-Position Normally Closed Manual Push to Actuate(Palm Button With Spring Return) Auto Reset Type	Distinctions <table border="1"> <thead> <tr> <th>Ordering Ref No</th> <th>Exterior Shape</th> <th>Mounting Hole</th> </tr> </thead> <tbody> <tr> <td>MV29179-S55H-PS-C :</td> <td>Hexagon A/ F 34.9mm (1 3/8")</td> <td>Ø7.0mm(9/32")</td> </tr> <tr> <td>MV29179-N55H-PS-C :</td> <td>Circular Ø 38.1 mm (1 1/2")</td> <td>Without</td> </tr> </tbody> </table>	Ordering Ref No	Exterior Shape	Mounting Hole	MV29179-S55H-PS-C :	Hexagon A/ F 34.9mm (1 3/8")	Ø7.0mm(9/32")	MV29179-N55H-PS-C :	Circular Ø 38.1 mm (1 1/2")	Without
Ordering Ref No	Exterior Shape		Mounting Hole								
MV29179-S55H-PS-C :	Hexagon A/ F 34.9mm (1 3/8")		Ø7.0mm(9/32")								
MV29179-N55H-PS-C :	Circular Ø 38.1 mm (1 1/2")		Without								
Port Connection Size	1/4" NPT F										
Panel Hole Size	Ø 26.5mm (1 3/64")										
Net Weight	700 gm										
Working Media	Oil										
Max Working Pressure	200 PSI (13.7bar)										
Temperature Range	- 30°C to 120°C <i>Other Temperature Ranges available. Consult Factory</i>										
Material(Valve Body)	316L										
Seal Material	Nitrile Rubber(NBR) <i>Other Seal Material are Available Upon Request</i>										
Material (Palm Button)	Polyamide <i>Other Material are Available Upon Request</i>										
Flow Rate	Cv = 1.6										

** Measurement stated are with tolerance of +/-10%. Optional Parts/Material are available upon request.

MACIS PTE LTD

Blk 3015A Ubi Road 1, #01-02 & #01-06 Kampong Ubi Industrial Estate, Singapore 408705
Email : sales@macis.com.sg TEL : 65-6749 6011 / 65-6749 7882 FAX : 65-6749 1398