

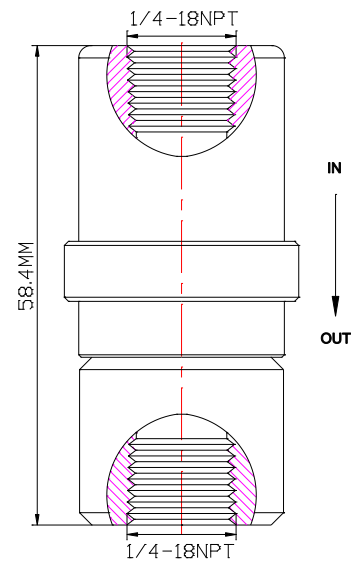
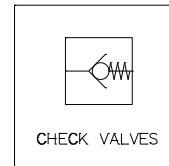


www.macis.com.sg

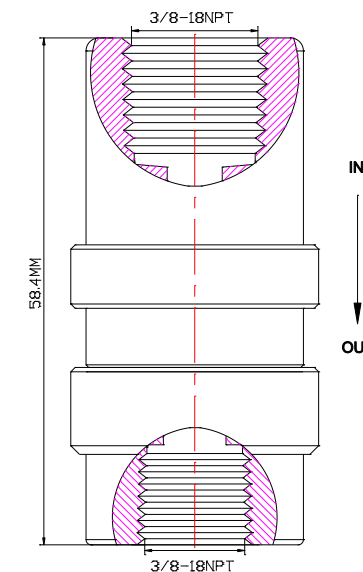
# CHECK VALVE

## Descriptions

Check valve is allows **gas fluid** to flow through it in only one direction (inlet to outlet), and by spring assisted poppet positioning to closing in response to backflow or insufficient forward pressure.



Ordering Ref : MV 4298L-1/4IF-1/4OF



Ordering Ref : MV 4298L-3/8IF-3/8OF

## Specification

Control Application	Directional Flow( In the open position to allow forward flow and closed position to block reverse flow)
Working Media	Air
Max Working Pressure	10,000 PSI (689.4 bar)
Cracking Pressure	1 to 3 PSI (0.068 to 0.206bar) <i>Other Cracking Pressure are Available upon request</i>
Temperature Range	- 30°C to 120°C <i>Other Temperature Ranges available. Consult Factory</i>
Material(Valve Body)	316 L
Orifice Size	Ø7.3mm ( $\frac{19}{64}$ ")
Flow Rate	Cv = 2.6
Seal Material	Viton(FKM) <i>Other Seal Material are Available upon request.</i>

\*\* Measurement stated are with tolerance of +/-10%. Optional Parts/Material are available upon request.

## Distinctions

Ordering Ref No : MV4298L-1/4IF-1/4OF



Net Weight : 80gm

Port Connection : IN & OUT Ports 1/4"-18NPT F

Ordering Ref No : MV4298L-3/8IF-3/8OF



Net Weight : 160gm

Port Connection : IN & OUT Ports 3/8"-18NPT F

## MACIS PTE LTD

Blk 3015A Ubi Road 1, #01-02 & #01-06 Kampong Ubi Industrial Estate, Singapore 408705  
Email : [sales@macis.com.sg](mailto:sales@macis.com.sg) TEL : 65-6749 6011 / 65-6749 7882 FAX : 65-6749 1398