



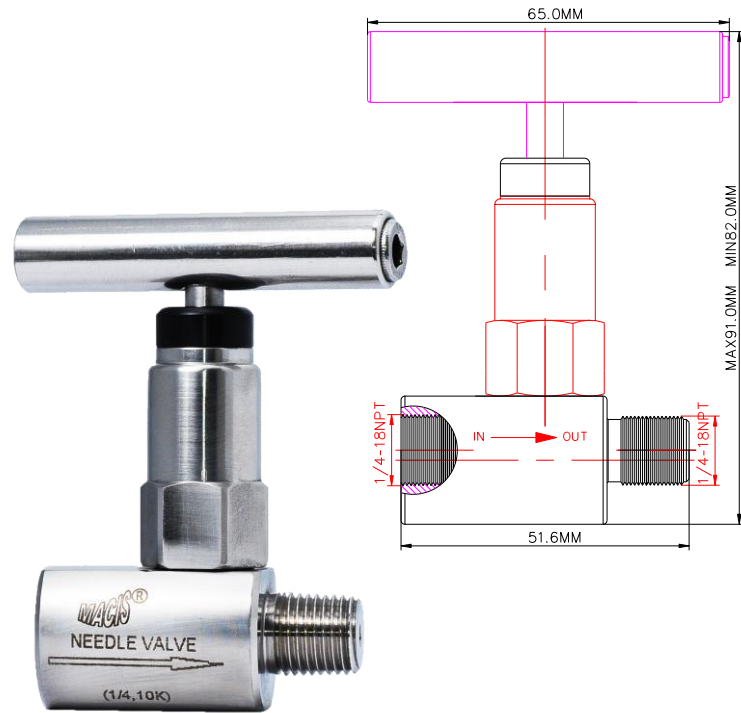
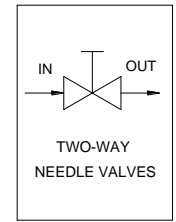
www.macis.com.sg

# NEEDLE VALVE (Straight Pattern)

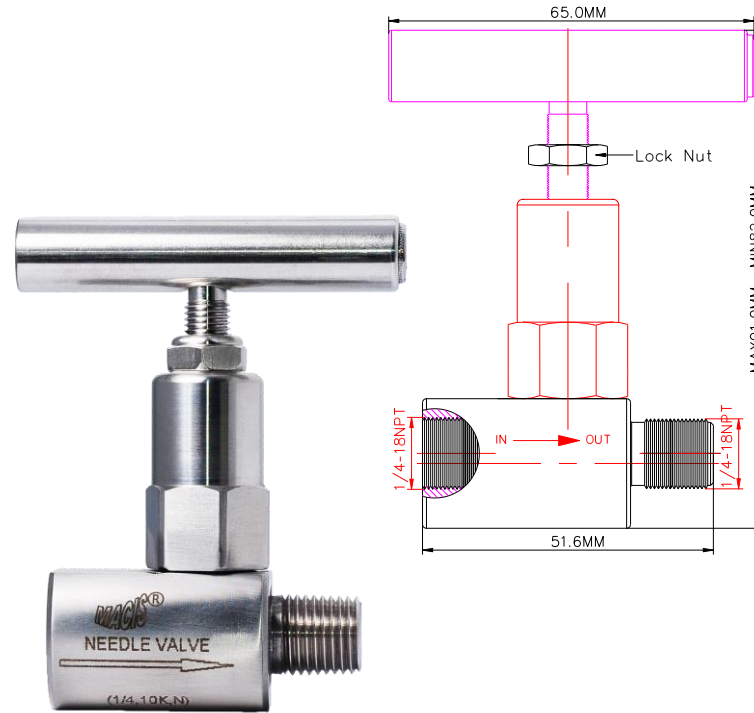
## Descriptions

The needle valve is used to make relatively fine adjustments in the amount of fluid flow. They are often used as component parts of other valves, to shut off the flow of the process media to the pressure instrument.

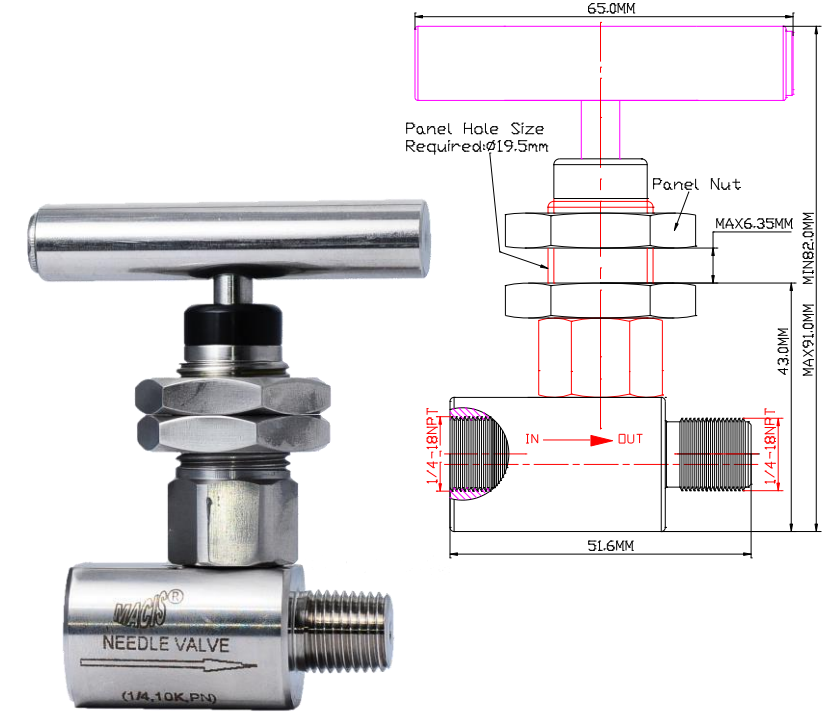
The characteristic of this valve is the long, tapered, needle like point on the end of the valve stem. This "needle" acts as a disk. The longer part of the needle is smaller than the orifice in the valve seat and passes through the orifice before the needle seats. This arrangement permits a very gradual increase or decrease in the size of the opening in a needle valve. Therefore, the valve can provide fine flow adjustments. The number of handle turns can be directly correlated to the amount of flow.



Ordering Ref : MV 180-BA-1/4-10K-NV-L



Ordering Ref : MV 180-BA-1/4-10K-N-NV-L



Ordering Ref : MV 180-BA-1/4-10K-PN-NV-L

## Specification

Port Connection Size	<b>IN Port:</b> 1/4"-18NPT F <b>OUT Port:</b> 1/4"-18NPT M
Working Media	Air
Net Weight	300gm
Max Working Pressure	10,000psi (689.4 bar)
Temperature Range	- 30°C to 120°C <i>Other Temperature Ranges available. Consult Factory</i>
Material(Valve Body)	316L
Exterior Shape	Circular Ø28.0mm (1 7/64")
Orifice Size	Ø3.5mm ( 9/64")
Seal Material	Viton(FKM) <i>Other Seal Material are Available Upon Request</i>
Flow Rate	Cv = 0.5
Options	Body Material and end connections other option available upon request

## Distinctions

Ordering Ref No	Stem Seal	Locknut	Panel Hole
MV 180-BA-1/4-10K-NV-L :	With	Without	Without
MV 180-BA-1/4-10K-N-NV-L :	Without	With	Without
MV 180-BA-1/4-10K-PN-NV-L :	With	Without	Ø 19.5mm(49/64")

\*\* Measurement stated are with tolerance of +/-10%. Optional Parts/Material are available upon request.

MACIS PTE LTD

Blk 3015A Ubi Road 1, #01-02 & #01-06 Kampong Ubi Industrial Estate, Singapore 408705  
Email : [sales@macis.com.sg](mailto:sales@macis.com.sg) TEL : 65-6749 6011 / 65-6749 7882 FAX : 65-6749 1398