

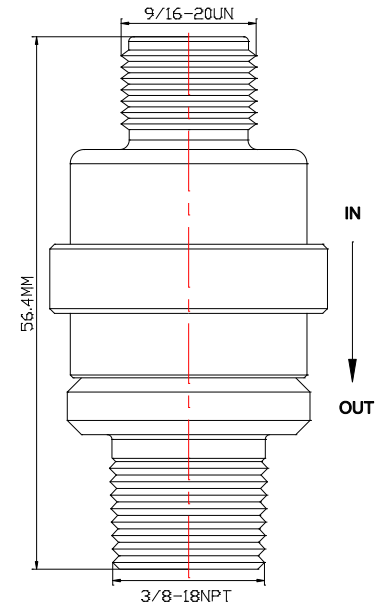
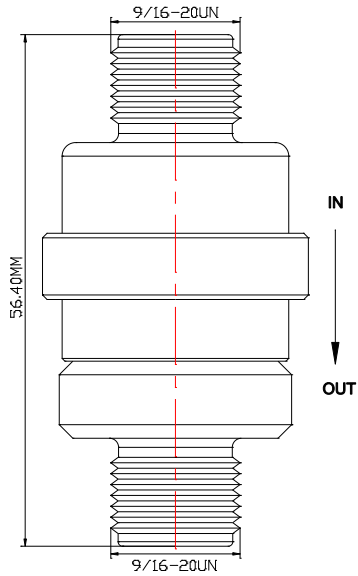
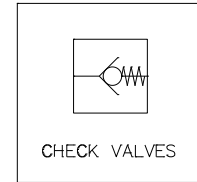


www.macis.com.sg

CHECK VALVE

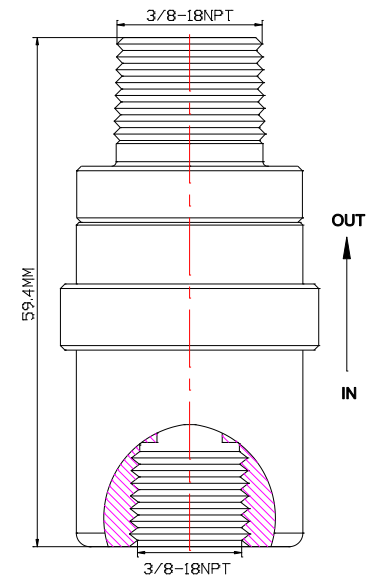
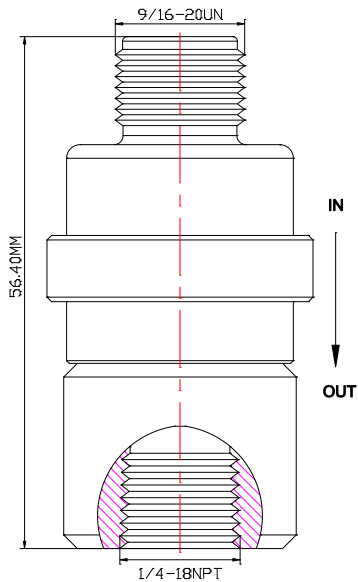
Descriptions

Check valve allows **fluid** to flow through it in only one direction (inlet to outlet), and by spring assisted poppet positioning to closing in response to backflow or insufficient forward pressure.



Ordering Ref : **MV 4298322-H** (Without Ferrule & Nuts)
MV 4298322H-OD3/8 (With Ferrule & Nuts)

Ordering Ref : **MV 4298322H- I 9/16- O 3/8M** (Without Ferrule & Nuts)
MV 4298322H- I 3/8OD (With Ferrule & Nuts)



Ordering Ref : **MV 4298325-H** (Without Ferrule & Nuts)
MV 4298325H- I 3/8OD (With Ferrule & Nuts)

Ordering Ref : **MV 4298338-H**

Specification

Control Application	Directional Flow(In the open position to allow forward flow and closed position to block reverse flow)	Distinctions <table border="1"> <thead> <tr> <th>Ordering Ref No</th> <th>Port Connection Size</th> <th>Net Weight</th> </tr> </thead> <tbody> <tr> <td>MV 4298322-H :</td> <td>IN & OUT Ports : 9/16"-20UN M</td> <td>110gm</td> </tr> <tr> <td>MV 4298322H- I 9/16-O3/8M :</td> <td>IN Port: 9/16"-20UNF M , OUT Port: 3/8 NPT M</td> <td>110gm</td> </tr> <tr> <td>MV 4298325-H :</td> <td>IN Port : 9/16"-20UN M, OUT Port : 1/4"-18NPT F</td> <td>130gm</td> </tr> <tr> <td>MV 4298338-H :</td> <td>IN Port : 3/8"-18NPT F, OUT Port : 3/8"-18NPT M</td> <td>130gm</td> </tr> </tbody> </table>	Ordering Ref No	Port Connection Size	Net Weight	MV 4298322-H :	IN & OUT Ports : 9/16"-20UN M	110gm	MV 4298322H- I 9/16-O3/8M :	IN Port: 9/16"-20UNF M , OUT Port: 3/8 NPT M	110gm	MV 4298325-H :	IN Port : 9/16"-20UN M, OUT Port : 1/4"-18NPT F	130gm	MV 4298338-H :	IN Port : 3/8"-18NPT F, OUT Port : 3/8"-18NPT M	130gm
Ordering Ref No	Port Connection Size		Net Weight														
MV 4298322-H :	IN & OUT Ports : 9/16"-20UN M		110gm														
MV 4298322H- I 9/16-O3/8M :	IN Port: 9/16"-20UNF M , OUT Port: 3/8 NPT M		110gm														
MV 4298325-H :	IN Port : 9/16"-20UN M, OUT Port : 1/4"-18NPT F		130gm														
MV 4298338-H :	IN Port : 3/8"-18NPT F, OUT Port : 3/8"-18NPT M		130gm														
Working Media	Oil																
Max Working Pressure	10,000psi(689.4 bar)																
Cracking Pressure	1 to 3 PSI (0.068 to 0.206 bar) <i>Other Cracking Pressure are Available Upon Request</i>																
Temperature Range	- 30°C to 120°C <i>Other Temperature Ranges available. Consult Factory</i>																
Material(Valve Body)	316 L																
Exterior Shape	Hexagon A/F25.4mm (1")																
Orifice Size	Ø7.3mm (¹⁹ / ₆₄ ")																
Seal Material	Nitrile Rubber(NBR) <i>Other Seal Material are Available Upon Request</i>																
Flow Rate	Cv = 2.6																

**Measurement stated are with tolerance of +/-10%. Optional Parts/Material are available upon request.

MACIS PTE LTD

Blk 3015A Ubi Road 1, #01-02 & #01-06 Kampong Ubi Industrial Estate, Singapore 408705
 Email : sales@macis.com.sg TEL : 65-6749 6011 / 65-6749 7882 FAX : 65-6749 1398