

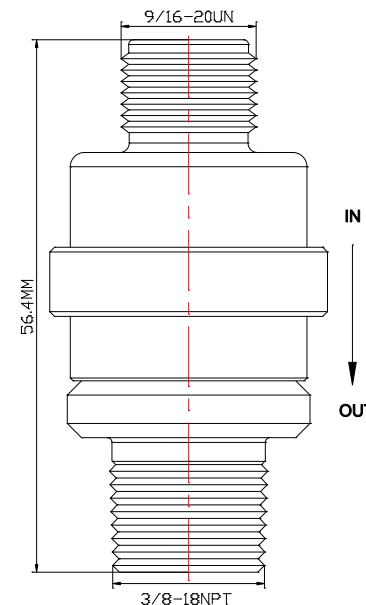
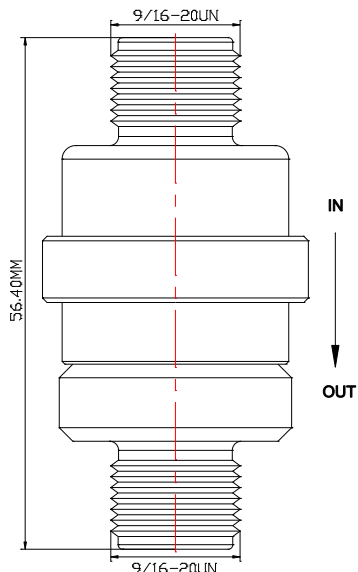
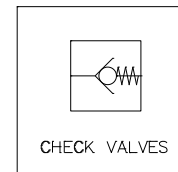


www.macis.com.sg

CHECK VALVE

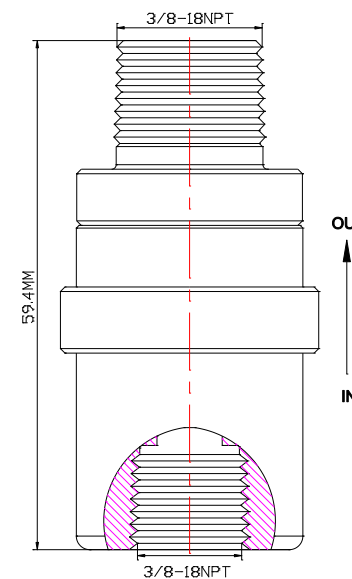
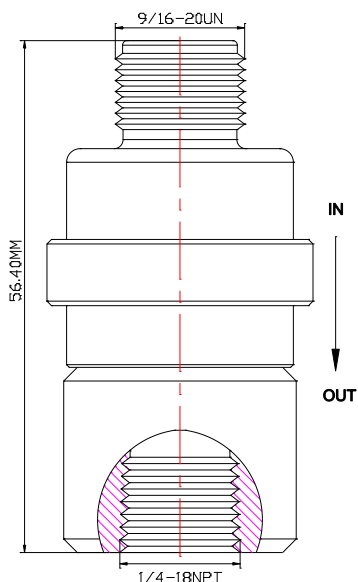
Descriptions

Check valve is allows **gas fluid** to flow through it in only one direction (inlet to outlet), and by spring assisted poppet positioning to closing in response to backflow or insufficient forward pressure.



Ordering Ref : **MV 4298322-L** (Without Ferrule & Nuts)
MV 4298322L-3/8OD (With Ferrule & Nuts)

Ordering Ref : **MV 4298322L- I 9/16- O 3/8M** (Without Ferrule & Nuts)
MV 4298322L- I 3/8OD (With Ferrule & Nuts)



Ordering Ref : **MV 4298325-L** (Without Ferrule & Nuts)
MV 4298325L- I 3/8OD (With Ferrule & Nuts)

Ordering Ref : **MV 4298338-L**

Specification

Control Application	Directional Flow(In the open position to allow forward flow and closed position to block reverse flow)
Working Media	Air
Max Working Pressure	10,000psi(689.4 bar)
Cracking Pressure	1 to 3 PSI (0.068 to 0.206 bar) <i>Other Cracking Pressure are Available Upon Request</i>
Temperature Range	- 30°C to 120°C <i>Other Temperature Ranges available. Consult Factory</i>
Material(Valve Body)	316 L
Exterior Shape	Hexagon A/F25.4mm (1")
Orifice Size	Ø7.3mm (¹⁹ / ₆₄ ")
Seal Material	Viton(FKM) <i>Other Seal Material are Available Upon Request</i>
Flow Rate	Cv = 2.6

Distinctions

Ordering Ref No	Port Connection Size	Net Weight
MV 4298322-L :	IN & OUT Ports : 9/16"-20UN M	110gm
MV 4298322L- I 9/16-O3/8M :	IN Port : 9/16"-20UNF M , OUT Port: 3/8 NPT M	110gm
MV 4298325-L :	IN Port : 9/16"-20UN M, OUT Port : 1/4"-18NPT F	130gm
MV 4298338-L :	IN Port : 3/8"-18NPT F, OUT Port : 3/8"-18NPT M	130gm

**Measurement stated are with tolerance of +/-10%. Optional Parts/Material are available upon request.

MACIS PTE LTD

Blk 3015A Ubi Road 1, #01-02 & #01-06 Kampong Ubi Industrial Estate, Singapore 408705
 Email : sales@macis.com.sg TEL : 65-6749 6011 / 65-6749 7882 FAX : 65-6749 1398