

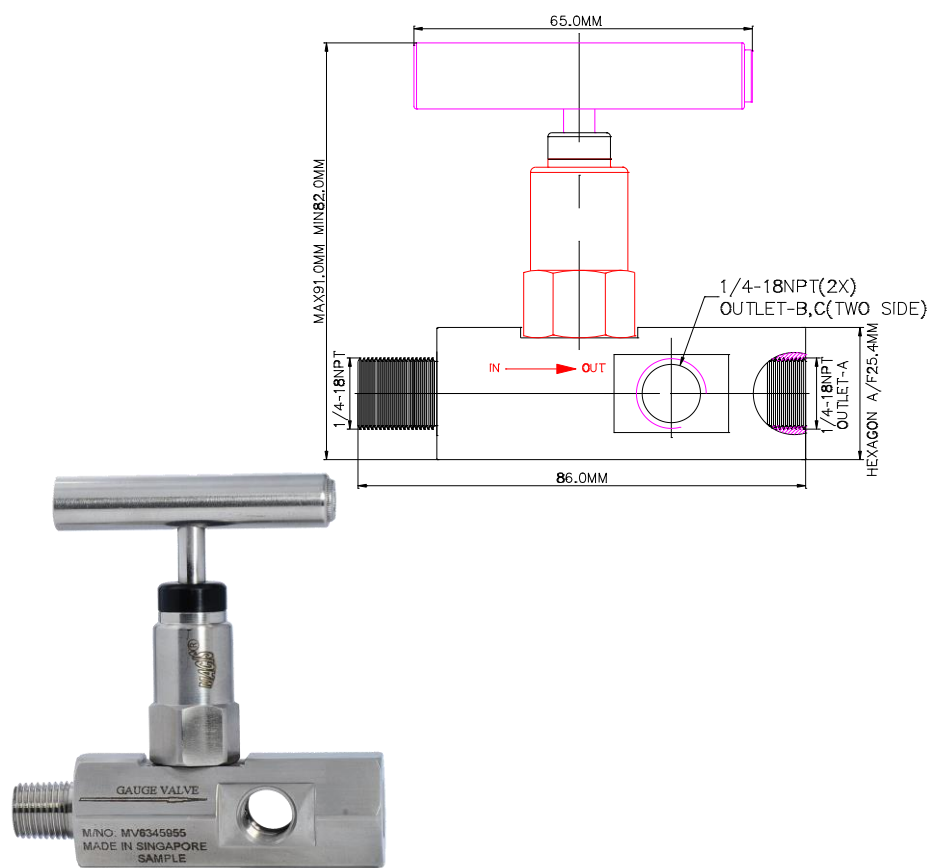


www.macis.com.sg

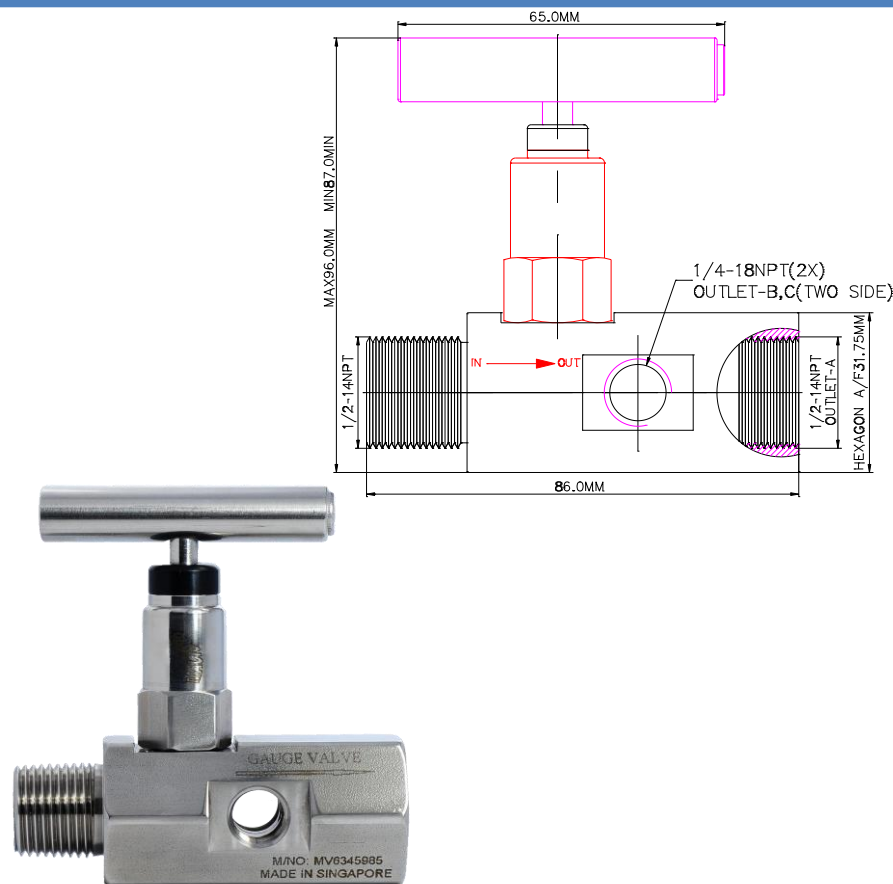
(MULTI-PORT) GAUGE VALVE

Descriptions

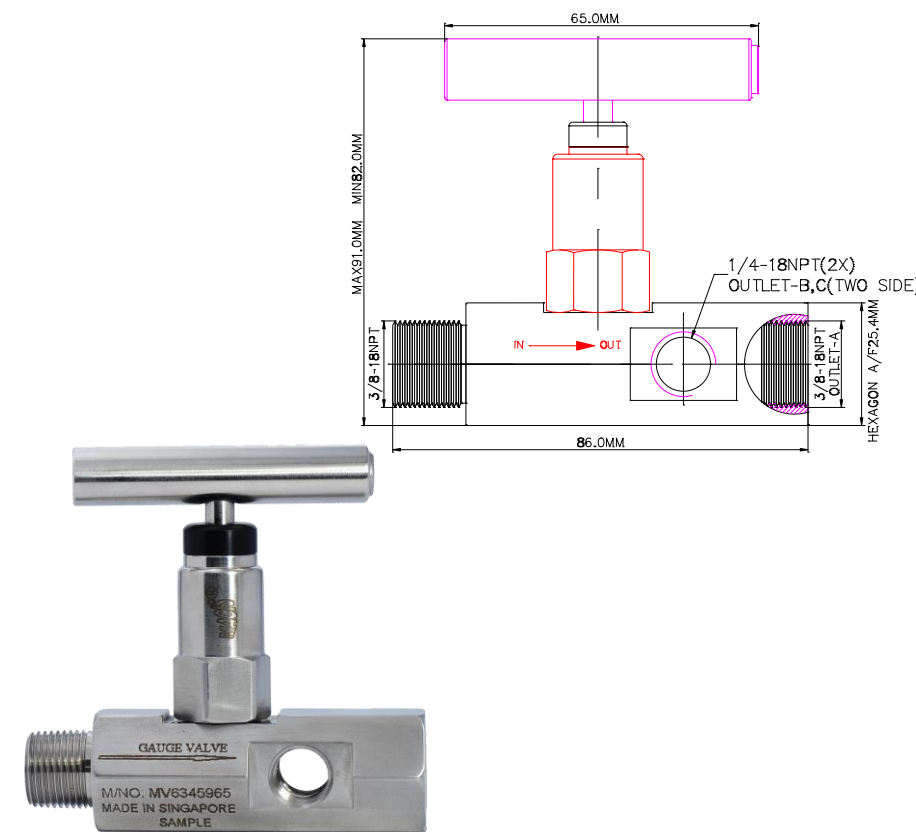
Multi-port gauge valves are designed to be used with gauge mounting and other instrument tie-ins in the process industries, without requiring additional penetrations of the main piping. Valve with male inlet connection is available threaded or prepared for welding and with either standard or extended inlets.



Ordering Ref : MV 6345955-L



Ordering Ref : MV 6345985-L



Ordering Ref : MV 6345965-L

Specification

Control Application	universal use wherever more than one outlet is require	Distinctions				
Working Media	Air	Ordering Ref No	Prot Connection Size	Net Weight	Orifice Size	Flow Rate
Max Working Pressure	10,000psi(689.4bar)	MV 6345955-L :	IN Port : 1/4"-18NPT M , OUT Ports - (A,B&C) :1/4"-18NPT F	400gm	Ø5.0mm (13/64")	Cv = 0.9
Temperature Range	- 30°C to 120°C <i>Other Temperature Ranges available. Consult Factory</i>	MV 6345985-L :	IN Port : 1/2"-14NPT M, OUT Ports	530gm	Ø6.0mm (15/64")	Cv = 1.3
Material(Valve Body)	316 L		-A : 1/2"-14NPT F -B & C : 1/4"-18NPT F			
Seal Material	Viton(FKM) <i>Other Seal Material are Available Upon Request</i>	MV 6345965-L :	IN Port : 3/8"-18NPT M, OUT Ports	400gm	Ø5.0mm (13/64")	Cv = 0.9
Options	Body Material and end connections other option available upon request		-A :3/8"-18NPT F -B & C : 1/4"-18NPT F			

**Measurement stated are with tolerance of +/-10%. Optional Parts/Material are available upon request.

MACIS PTE LTD

Blk 3015A Ubi Road 1, #01-02 & #01-06 Kampong Ubi Industrial Estate, Singapore 408705
Email : sales@macis.com.sg TEL : 65-6749 6011 / 65-6749 7882 FAX : 65-6749 1398