



www.macis.com.sg

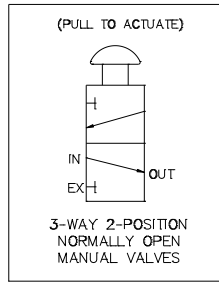
MANUAL SHUTDOWN (ESD) VALVE

Valve Operation

MV 1586356-H & MV1586357-H are 3-Way 2-Position manual shut down valves, they ideal for use in Emergency Shut Down (ESD) systems and other control applications that require fast response time.

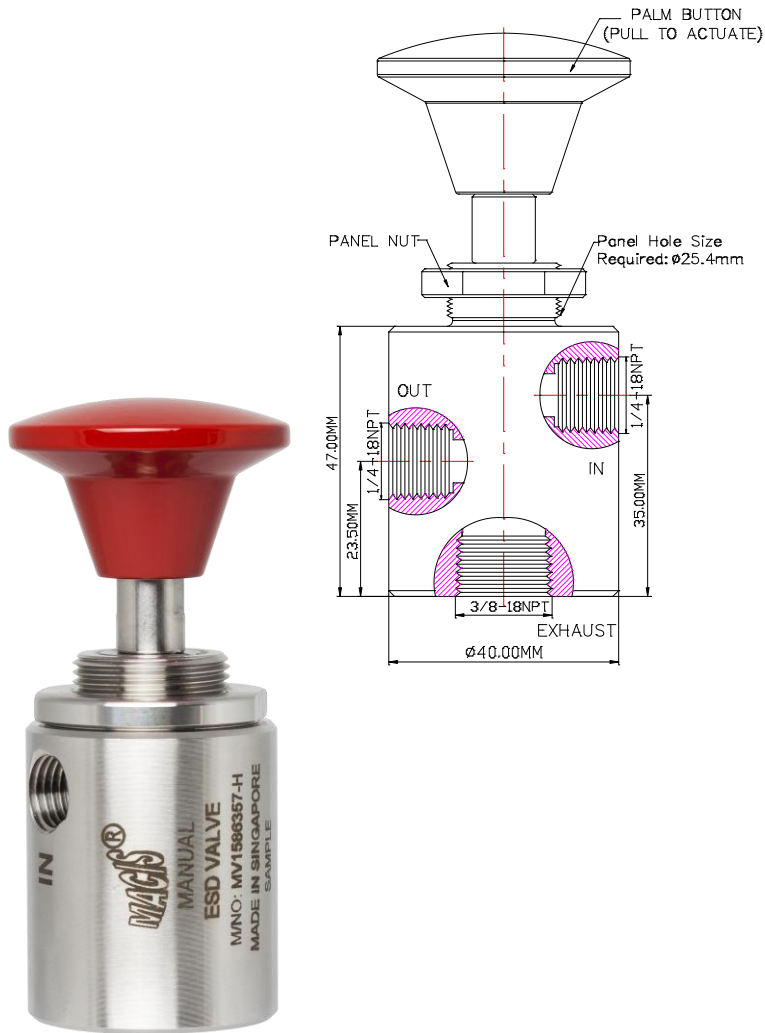
At push position (palm button), the valve as below Status Table (State 1), supply pressure flow from IN port to OUT port, and EX port will be block.

Manually pull the palm button to actuate, the valve as Status Table (State 2), supply pressure will be block at IN port and the downstream pressure flow from OUT port to EX port.

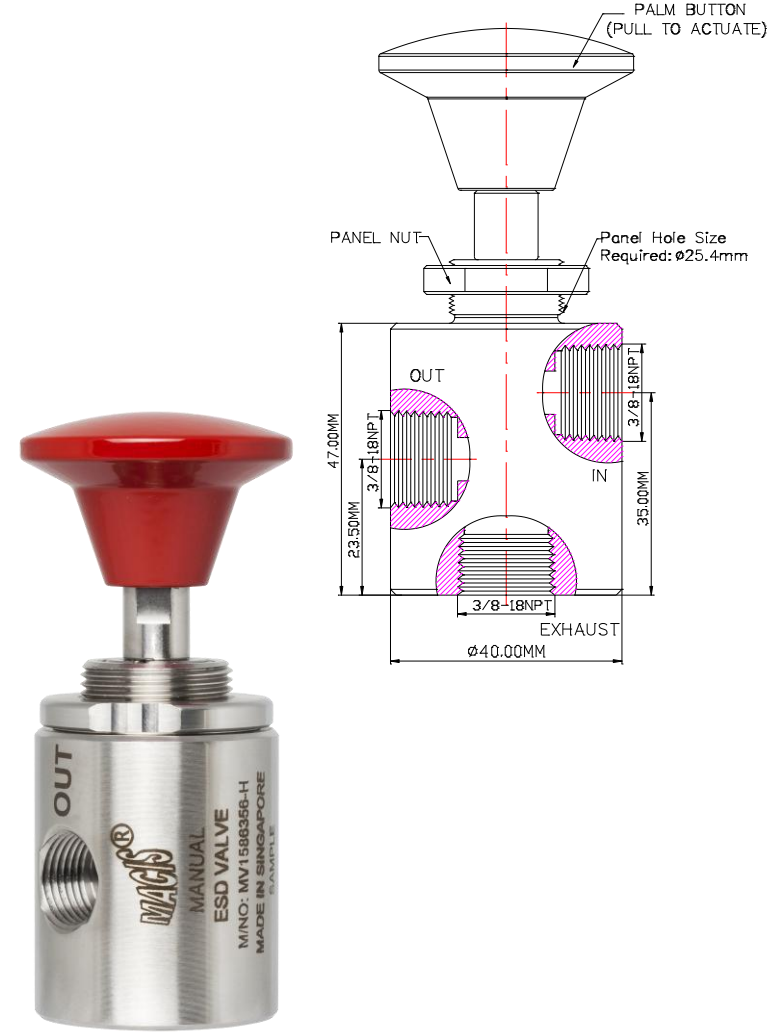


Flow Control Status Table

STATE	IN	OUT	EX	Palm Button
1	O	O	-	Push
2	-	O	O	Pull



Ordering Ref : MV1586356-H



Ordering Ref : MV1586357-H

Specification

Control Application	3-Way Normally Open Manually Pull-Push with Red palm button Manual Shutdown Type
Exterior Shape	Circular Ø40.00 mm (1 37/64")
Panel Hole Size	Ø 25.4 mm (1")
Net Weight	400 gm
Working Media	Oil
Max Working Pressure	300 PSI (20.6 bar)
Temperature Range	- 30°C to 120°C <i>Other Temperature Ranges available. Consult Factory</i>
Material(Valve Body)	316L
Seal Material	Nitrile Rubber(NBR) <i>Other Seal Material are Available Upon Request</i>
Material (Palm Button)	Polyamide <i>Other Material are Available Upon Request</i>
Color(Palm Button)	Red / Black <i>There are two Color for select, kindly state when ordering</i>
Flow Rate	Cv = 1.9

Distinctions

Ordering Ref No : MV1586356-H



Port Connection Size : IN & OUT Ports : 1/4"NPT F, EX Port : 3/8"NPT F

Ordering Ref No : MV1586357-H



Port Connection Size : IN , OUT& EX Ports : 3/8"NPT F

** Measurement stated are with tolerance of +/-10%. Optional Parts/Material are available upon request.

MACIS PTE LTD

Blk 3015A Ubi Road 1, #01-02 & #01-06 Kampong Ubi Industrial Estate, Singapore 408705
Email : sales@macis.com.sg TEL : 65-6749 6011 / 65-6749 7882 FAX : 65-6749 1398