



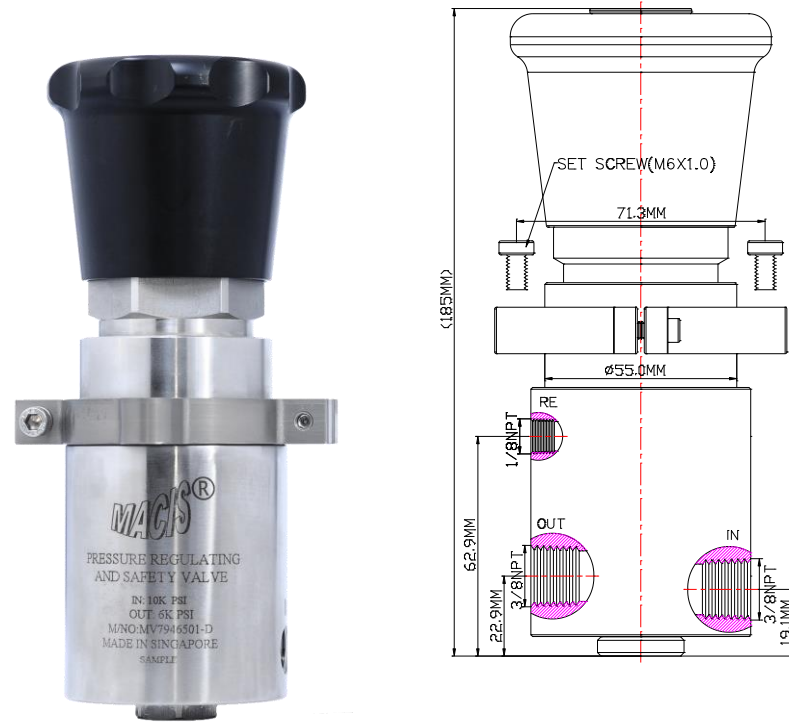
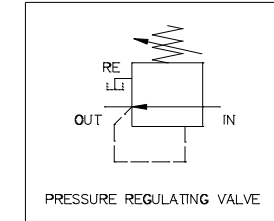
www.macis.com.sg

# PRESSURE REGULATING VALVE

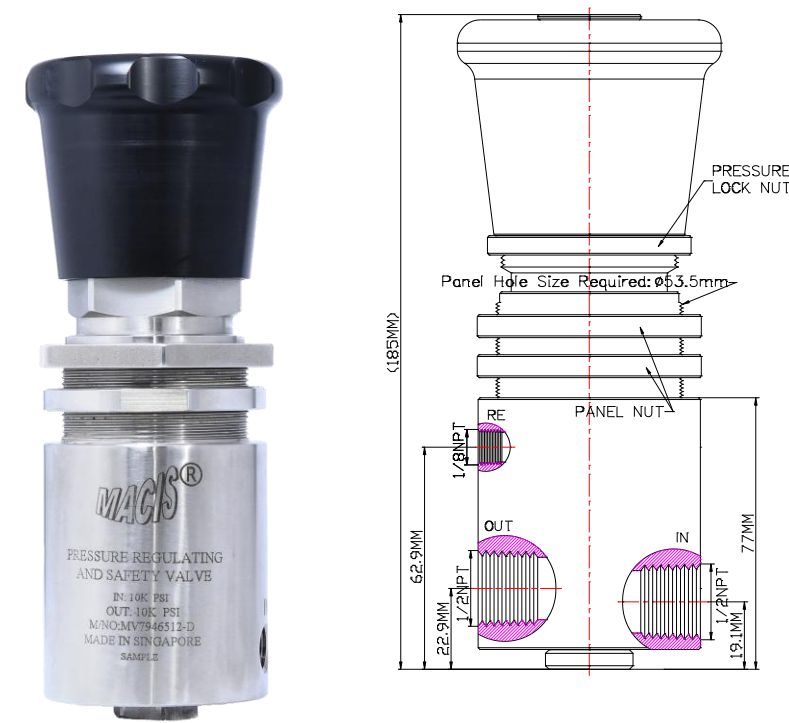
## Descriptions

MV794HP10K-3K-3/8R-S & MV794HP10K-3K-1/2R-P are 2-Position, Normally Open Self-Relieving Pressure regulators. A pressure regulator is a valve that used to reduce a high upstream pressure to a precisely decrease output pressure, and the pressure regulator will be provide stable output pressure for connect to outlet control circuit or control device operating.

The pressure media enters the regulator through by IN port, turning the adjusting wheel **clockwise** will increase the spring exerted tension to **increase** the regulator **output pressure**, rotating the adjusting wheel **counterclockwise** will **decrease** the regulator **output pressure**, and this reduced output pressure will be maintained within a predetermined operating pressure range or limit.



Ordering Ref : MV 794HP10K-3K-3/8R-S



Ordering Ref : MV 794HP10K-3K-1/2R-P

## Specification

Control Application	2-Position, Normally Open Self - Relieving To precisely reduce a high upstream pressure and provide stable pressure for application
IN Net Weight	2.75 kg
Working Media	Oil
Working Pressure	Max Inlet Pressure : 10,000psi (689.4bar) Output Pressure Range : Service up to 3,000psi (206.8bar), Optimum 300-3,000psi (20.6-206.8 bar)
Temperature Range	- 30°C to 120°C <i>Other Temperature Ranges available. Consult Factory</i>
Material(Valve Body)	316L
Adjusting Wheel Material	Polyamide <i>Other Material available, Consult Factory</i>
Orifice Size	Ø2.8mm ( 7/64 " )
Flow Rate	Cv = 0.2
Seal Material	Nitrile Rubber (NBR) <i>Other Material are available, Consult Factory</i>

## Distinctions

**Ordering Ref No:** MV 794HP10K-3K-3/8R-S



**Port Connection Size:** IN & OUT Ports: 3/8"-18NPT F, Return: 1/8"-27NPT F

**Mounting Hole Size :** Ø71.5mm ( 2<sup>13</sup>/<sub>16</sub> " )

**Ordering Ref No :** MV 794HP10K-3K-1/2R-P



**Port Connection Size:** IN & OUT Ports: 1/2"-18NPT F, Return: 1/8"-27NPT F

**Panel Hole Size:** Ø53.5mm( 2<sup>7</sup>/<sub>64</sub> " )

\*\* Measurement stated are with tolerance of +/-10%. Optional Parts/Material are available upon request.

MACIS PTE LTD

Blk 3015A Ubi Road 1, #01-02 & #01-06 Kampong Ubi Industrial Estate, Singapore 408705  
Email : [sales@macis.com.sg](mailto:sales@macis.com.sg) Tel : 65-6749 6011 / 65-6749 7882 Fax : 65-6749 1398