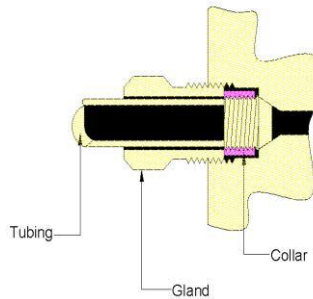
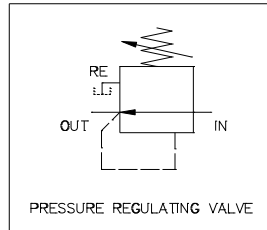
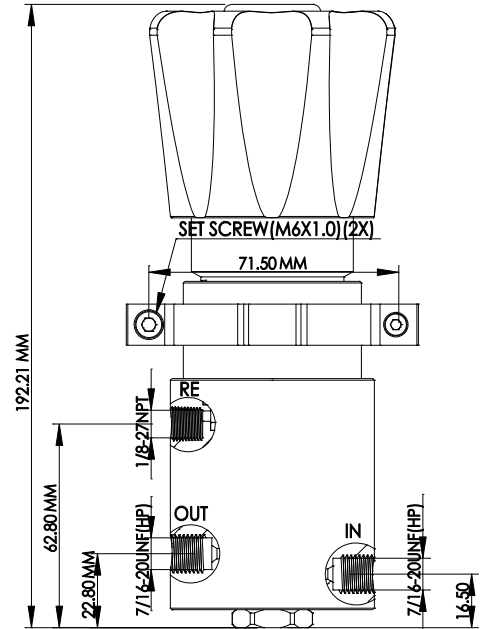


PRESSURE REGULATING VALVE

Valve Code: MV 794LP15K-10K-7/16R-S



Medium pressure tubing ,tubing size is 1/4" ODX0.109"ID, 1/4"Medium Pressure(LF4).



Ordering Ref : MV 794LP15K-10K-7/16R-S

MV794LP15K-10K-7/16R-S is a 2-Position, Normally Open Self-Relieving Pressure regulator. A pressure regulator is a *valve* that automatically cuts off the flow of gas at a certain pressure. They are used to allow high-pressure fluid supply lines to be reduced to safe and/or usable pressures for various applications.

The pressure media enters the regulator through by IN port, turning the adjusting wheel *clockwise* will increase the spring exerted tension to *increase* the regulator *output pressure*, rotating the adjusting wheel *counterclockwise* will *decrease* the regulator *output pressure*, and this reduced output pressure will be maintained within a predetermined operating pressure range or limit.

Specification

Port Connection Size	Input: 7/16"-20UNF F Output: 7/16"-20UNF F Return: 1/8"-27NPT F
Net Weight	2.8kg
Working Media	Air
Working Pressure	Max Inlet: 15,000psi (1,034.2bar) Output Pressure Range: Services up to 10,000psi (689.5bar) , Optimum 800-10,000psi (55.2-689.5bar)
Temperature Range	- 30°C to 120°C <i>Other Temperature Ranges available. Consult Factory</i>
Material(Valve Body)	316L
Mounting Hole Size	Ø71.5mm (2 ¹³ / ₁₆ ")
Adjusting Wheel Material	Polyamide <i>Other Material are available, Consult Factory</i>
Orifice Size (Standard)	Ø2.4mm(³ / ₃₂ ")
Flow Rate	Cv = 0.12
Seal Material	Viton(FKM) <i>Other Material are available, Consult Factory</i>

** Measurement stated are with tolerance of +/-10%. Optional Parts/Material are available upon request.

MACIS PTE LTD

Blk 3015A Ubi Road 1, #01-02 & #01-06 Kampong Ubi Industrial Estate, Singapore 408705

Email : sales@macis.com.sg