



www.macis.com.sg

PILOT VALVE (Manual Reset Type)

Valve Operation

MV29176-SP-56L, MV29176-SP-56L-D & MV29178-SP-56L-D are 3Way 2-Position, Universal operation, Manual palm button & latch pin, Air latch pilot with spring return pilot valves, manual reset type.

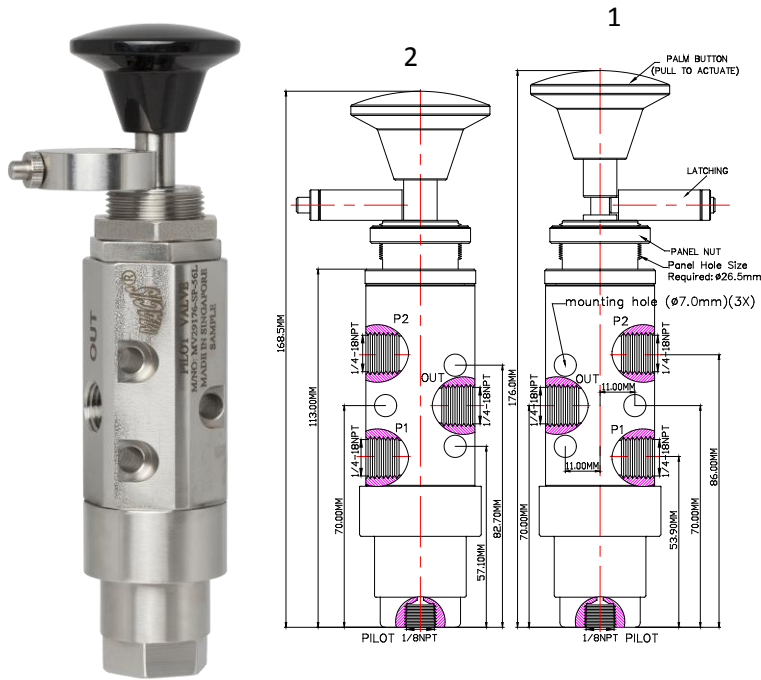
To open the valve, supply pressure signal (within the required minimum pilot pressure range) to the Pilot port or engaging the Manual Latch Pin (Manual Latch Pin releases when pilot port is pressurized) and manually pull the palm button to actuate, the valve function as below control table (state 1), the P2 port will open to OUT port and P1 port will be block. Once Pulling palm button outward and applied pilot signal pressure, the valve's normal in-service placement will be maintained.

To close the valve, manually push in palm button even when there is pilot signal pressure within the min pilot pressure range, the valve will return to close as below Control table (State 2). The P1 port will open to OUT port and P2 port will be block. Reintroduction of the pilot Signal pressure will not open the valve, unless the palm button is manually pulled.

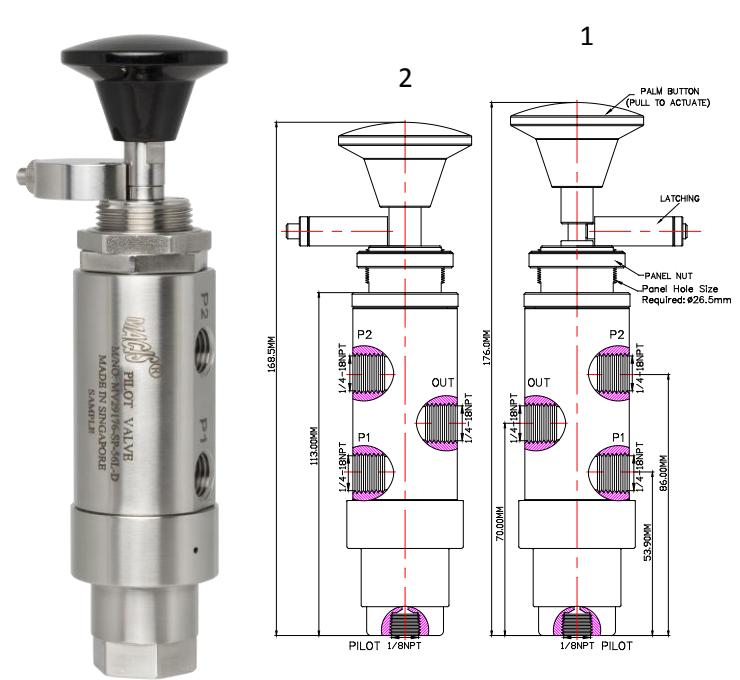
When there is no pilot signal or the pilot pressure lower than min operating pressure, engaging latching pin will keep the valve open, Latching pin disengage when pilot pressure is present as below control table (State 1).

*Note: 1. when the pilot port pressure signal drop to lower than 16psi (1.1bar), the valve will spring return to close see control table (state 2).

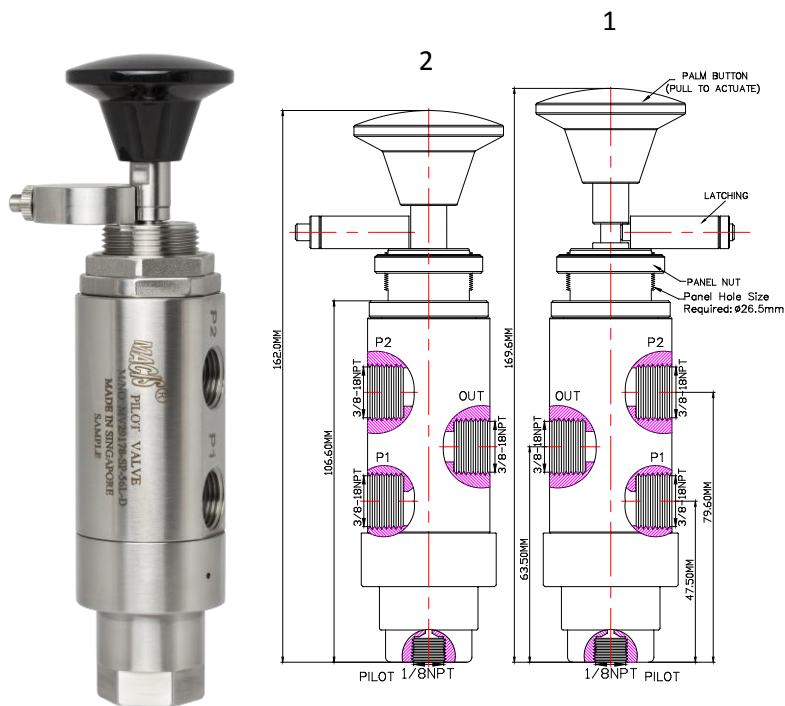
2. The valve is a universal operation, when select P2 port as IN port, the valve is normally closed. When select P1 port as IN port the valve is normally open.



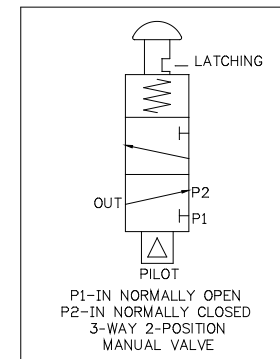
Ordering Ref : MV29176-SP-56L



Ordering Ref : MV29176-SP-56L-D



Ordering Ref : MV29178-SP-56L-D



Flow Control Table (Palm Button)

STATE	P1	P2	OUT	PILOT	Palm Button
1	-	O	O	O	PULL
2	O	-	O	-	PUSH

Specification

Control Application	3-Way 2-Position, Universal Operation Manual Palm Button, Manual Latch Pin, Air Latch Pilot with Spring Return. Manual Reset Type	Distinctions	
Panel Hole Size	Ø 26.5 mm (1 3/64")	Ordering Ref no	
Net Weight	1.0kg	Port Connection Size	
Working Media	Air	Exterior Shape	
Pilot Pressure Range	28 - 150 PSI (2.0 - 10.3bar)	Mounting Hole	
Max Working Pressure	300 PSI (20.6bar)		
Temperature Range	- 30°C to 120°C Other Temperature Ranges available. Consult Factory		
Material (Valve Body)	316 L		
Seal Material (standard)	Viton(FKM) Other Seal Material Available Upon Request		
Material (Palm Button)	Polyamide Other Material Available Consult Factory		
Flow Rate	Cv = 1.65		

** Measurement stated are with tolerance of +/-10%. Optional Parts/Material are available upon request.

MACIS PTE LTD

Blk 3015A Ubi Road 1, #01-02 & #01-06 Kampong Ubi Industrial Estate, Singapore 408705
Email : sales@macis.com.sg TEL : 65-6749 6011 / 65-6749 7882 FAX : 65-6749 1398