



www.macis.com.sg

MANUAL OPERATED VALVE

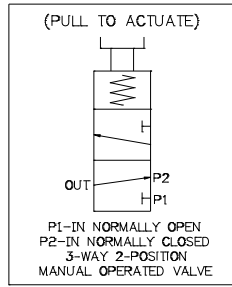
Valve Operation

MV29179-86L-PL & MV29180-86L-PL are 3 Way 2-Position, Universal operation, Manual pull to actuate (Palm button with spring return) manual operated valves, Auto reset type.

At Un-actuate position (the palm button is in push status), the valve function as per status table (state2), the P1 port is open to OUT port and the P2 port is block.

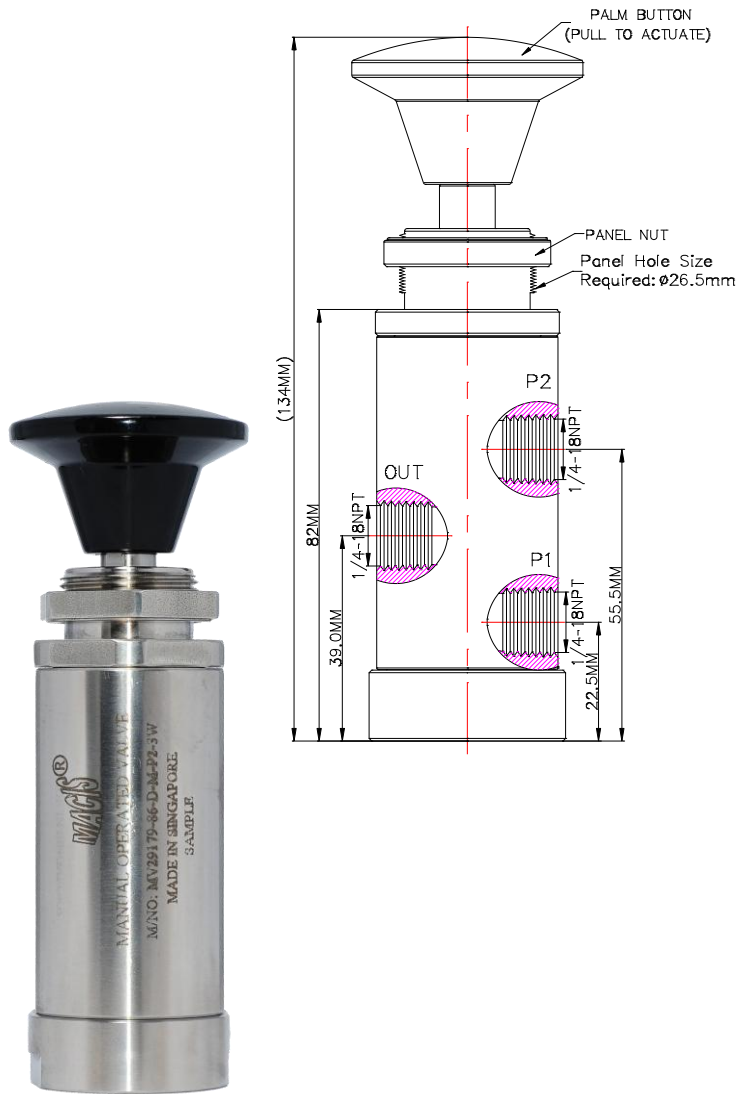
To actuate the valve, manually pull the palm button, the valve will change to close as per status table (state 1). The P1 port will be block and the P2 port will open to OUT port. Releasing the palm button, the valve will spring return to push position see status table (state2)

**Note: Valve is a universal operation, when select P2 port as IN port, the valve is normally closed. When select P1 port as IN port the valve is normally open*

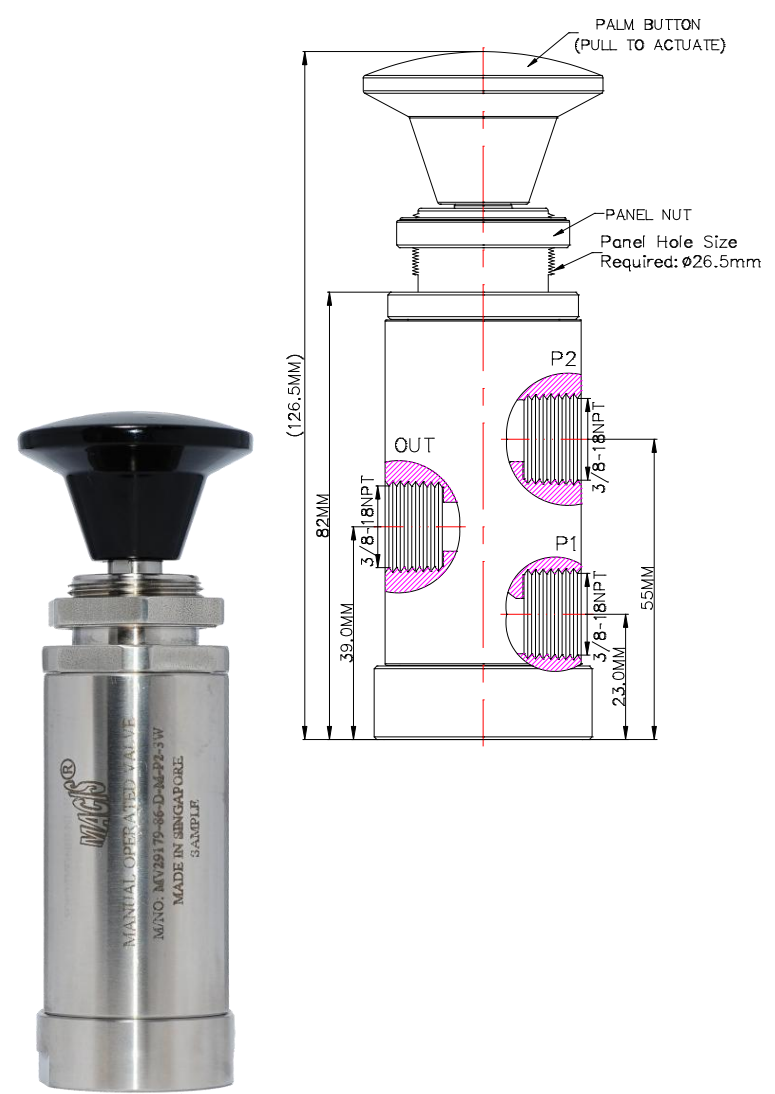


Flow Control Status Table

STATE	P1	OUT	P2	Palm Button
1	-	O	O	Pull
2	O	O	-	Release



Ordering Ref : MV29179-86L-PL
Corresponding to: MV2917986-D-M-P2-3W



Ordering Ref : MV29180-86L-PL
Corresponding to: MV2917966-D-M-P2-3W

Specification

Control Application	3-Way 2-Position, Universal Operation, Manual Pull to Actuate (Palm Button With Spring Return), Auto Reset Type	Distinctions	Ordering Ref No	Port Connection Size	Exterior Shape	Net Weight
Panel Hole Size	Ø 26.5mm (1 3/64")		MV29179-86L-PL :	1/4"NPT F	Circular Ø 38.1 mm (1 1/2")	700gm
Working Media	Air	MV29180-86L-PL:	3/8"NPT F	Circular Ø 40.0 mm (1 37/64")	800gm	
Max Working Pressure	200 PSI (13.7bar)					
Temperature Range	- 30°C to 120°C <i>Other Temperature Ranges available. Consult Factory</i>					
Material(Valve Body)	316L					
Seal Material	Viton(FKM) <i>Other Seal Material are Available Upon Request</i>					
Material (Palm Button)	Polyamide <i>Other Material are Available Upon Request</i>					
Flow Rate	Cv = 1.6					

** Measurement stated are with tolerance of +/-10%. Optional Parts/Material are available upon request.

MACIS PTE LTD

Blk 3015A Ubi Road 1, #01-02 & #01-06 Kampong Ubi Industrial Estate, Singapore 408705

Email : sales@macis.com.sg TEL : 65-6749 6011 / 65-6749 7882 FAX : 65-6749 1398