



INTERFACE VALVE

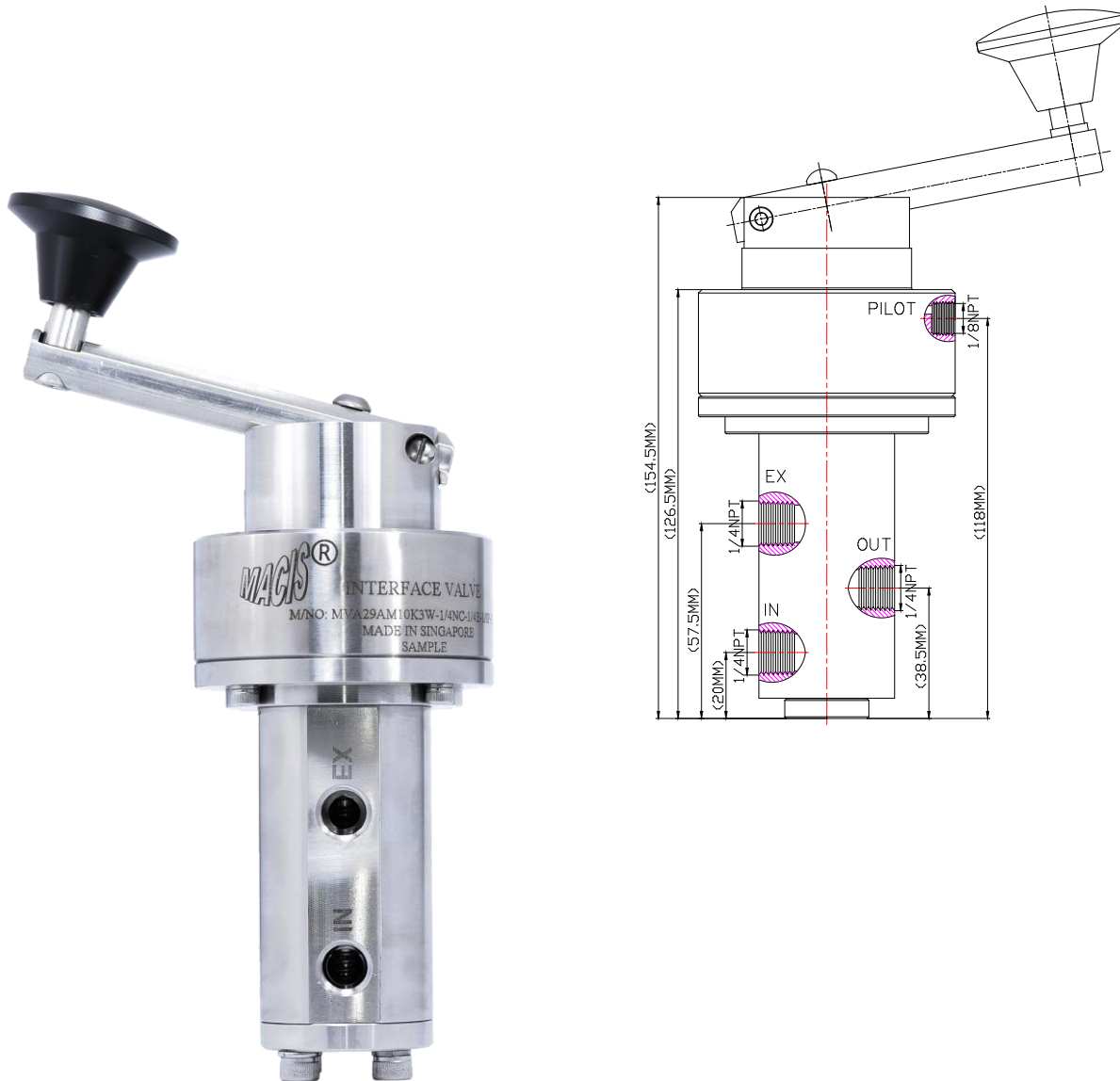
www.macis.com.sg

Valve Operation

MV B29AM10K3W-1/4NC-1/4E-1/8P-ML-H is a 3-Way 2-Position Normally Closed, Manual/ Pilot Supply pressure Operated Interface Valve (Manual lever with control override).

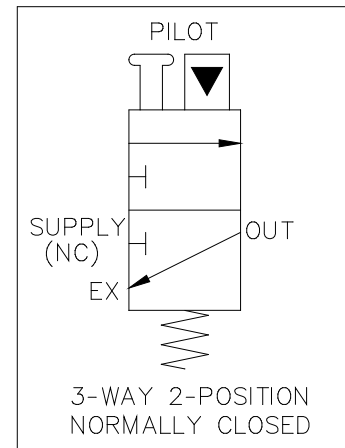
To open the valve, the pressure signal to Pilot port within the required minimum pilot pressure range, the valve will actuate to open supply pressure from IN port to OUT port and block at EX port, as per below Status table State 1.

To close the valve, the Pilot port pressure lower than Min pilot operating pressure, the valve will be auto reset to close as per below status table State 2. Supply pressure will be block at IN port and accumulated operating pressure will released through the EX port. Manual lever is additional function operation same as Pilot port control application.



Flow Control Status Table

STATE	IN	OUT	EX	Pilot / Manual Handle
1	o	o	-	o
2	-	o	o	-



Ordering Ref : MV B29AM10K3W-1/4NC-1/4E-1/8P-ML-H

Specification

Control Application	3-Way 2-Position Normally Closed Manual Lever with Control override Manual/Auto Operation Type
Port Connection Size	IN, OUT & EX Ports: 1/4" NPT F Pilot Port: 1/8" NPT F
Pilot Linker Shape	Circular Ø76.2mm (3")
Net Weight	3.3 KG
Working Media	Oil
Pilot Pressure Range	25-150 PSI (1.8 – 10.3 bar)
Max Working Pressure	10,000 PSI (689.4 bar)
Temperature Range	- 30°C to 120°C <i>Other Temperature Ranges available. Consult Factory</i>
Material (Valve Body)	316L
Seal Material	Nitrile Rubber (NBR) <i>Other Seal Material are Available Upon Request</i>
Manual Handle	Lever type
Flow Rate	Cv = 0.65

** Measurement stated are with tolerance of +/-10%. Optional Parts/Material are available upon request.

MACIS PTE LTD

Blk 3015A Ubi Road 1, #01-02 & #01-06 Kampong Ubi Industrial Estate, Singapore 408705
Email : sales@macis.com.sg TEL : 65-6749 6011 / 65-6749 7882 FAX : 65-6749 1398