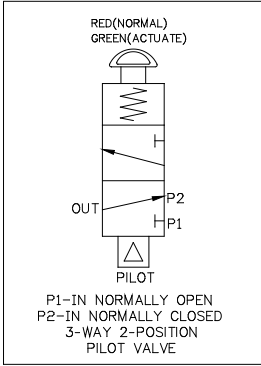




PILOT VALVE WITH INDICATING (Auto Reset Type)

www.macis.com.sg

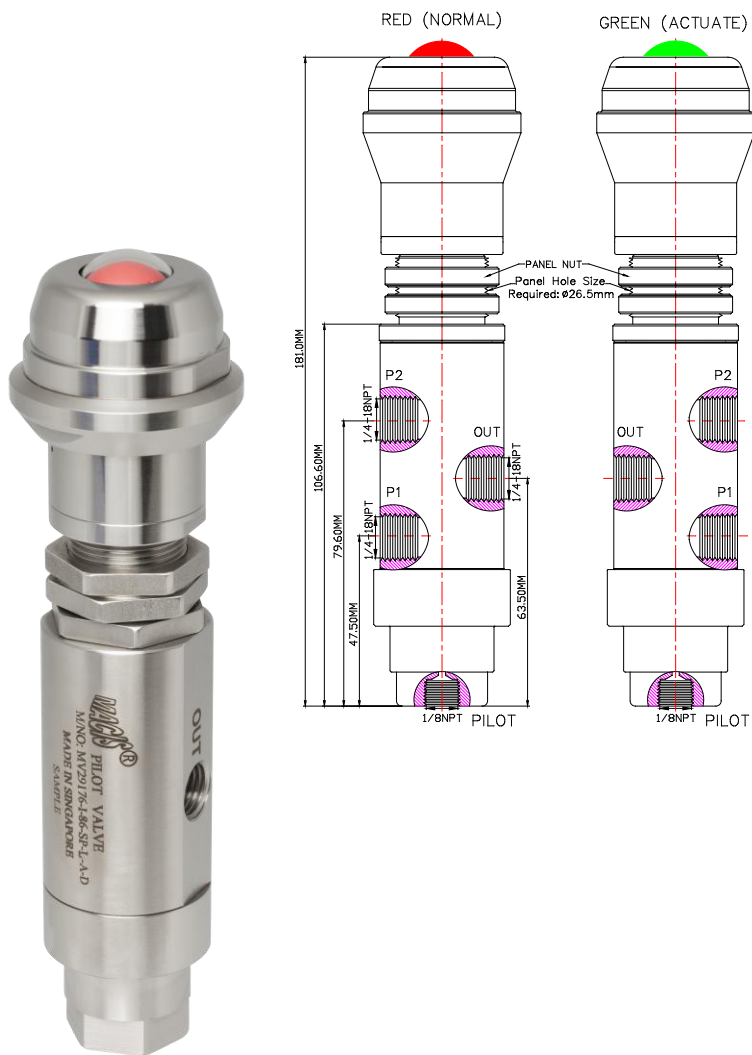


Valve Operation

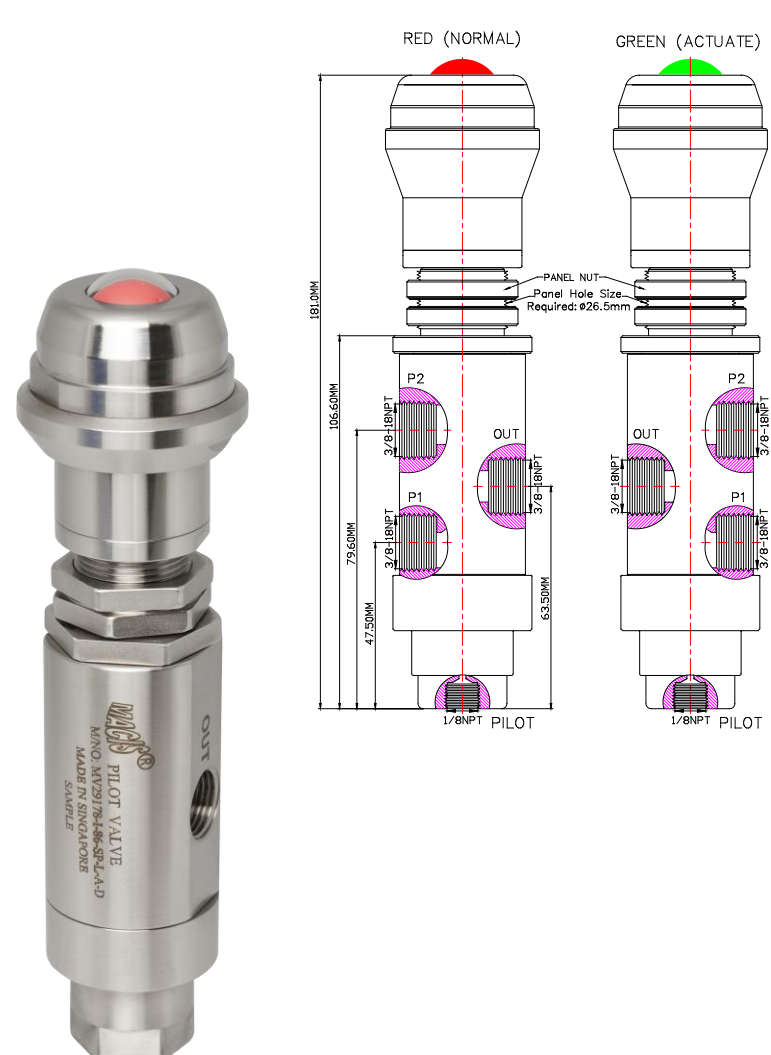
Apply pilot pressure to open valve, spring return upon loss of pilot pressure.

The valve provided with a pressure indicator appears **Green** when there is pilot pressure present in the pilot chamber, showing normally open position. The pressure indicator appears **Red** when there is no pressure in the pilot chamber or the pilot pressure drop to below 16 psi (1.1bar), at which point the valve will spring return to closed position.

***Note:** Valve is a universal operation, when select P2 port as IN port, the valve is normally closed. When select P1 port as IN port the valve is normally open.



Ordering Ref : MV29176-I-86-SP-H-A-D



Ordering Ref : MV29178-I-86-SP-H-A-D

Specification

Control Application	3-Way 2-Position, Universal Operation 2-Color Indicating Pilot Valve, Auto Reset Type
Panel Hole Size	Ø 26.5 mm (1 3/64")
Net Weight	1.0kg
Working Media	Oil
Pilot Pressure Range	36 - 200 PSI (2.5 - 13.7 bar)
Max Working Pressure	200 PSI (13.7bar)
Temperature Range	- 30°C to 120°C <i>Other Temperature Ranges available. Consult Factory</i>
Material(Valve Body)	316 L
Seal Material(Standard)	Nitrile Rubber(NBR) <i>Other Seal Material are Available Upon Request</i>
Indicator	Standard Part
Color(Indicating)	Red & Green
Flow Rate	Cv = 1.65

Distinctions

Ordering Ref No : MV29176-I-86-SP-H-A-D



Port Connection Size: P1,P2 & OUT Ports : 1/4"NPT F, Pilot Port : 1/8"NPT F

Exterior Shape: Circular Ø 38.1 mm (1 1/2")

Ordering Ref No : MV29178-I-86-SP-H-A-D



Port Connection Size: P1, P2 & OUT Ports : 3/8"NPT F, Pilot Port : 1/8"NPT F

Exterior Shape: Circular Ø 40.0 mm (1 37/64")

** Measurement stated are with tolerance of +/-10%. Optional Parts/Material are available upon request.

MACIS PTE LTD

Blk 3015A Ubi Road 1, #01-02 & #01-06 Kampong Ubi Industrial Estate, Singapore 408705
Email : sales@macis.com.sg TEL : 65-6749 6011 / 65-6749 7882 FAX : 65-67491398