



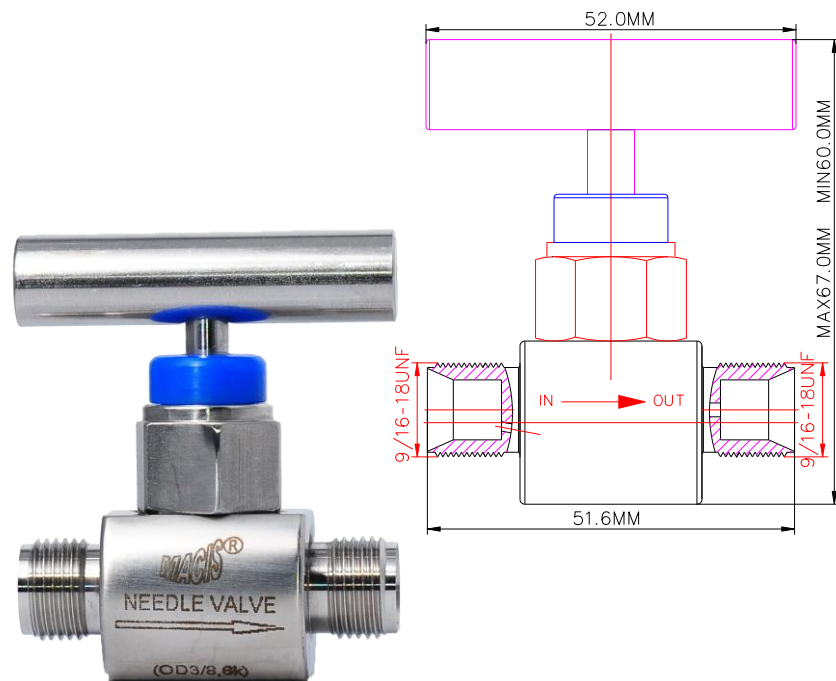
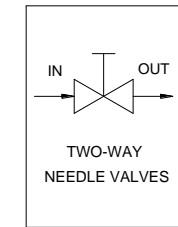
www.macis.com.sg

# NEEDLE VALVE (Straight Pattern)

## Descriptions

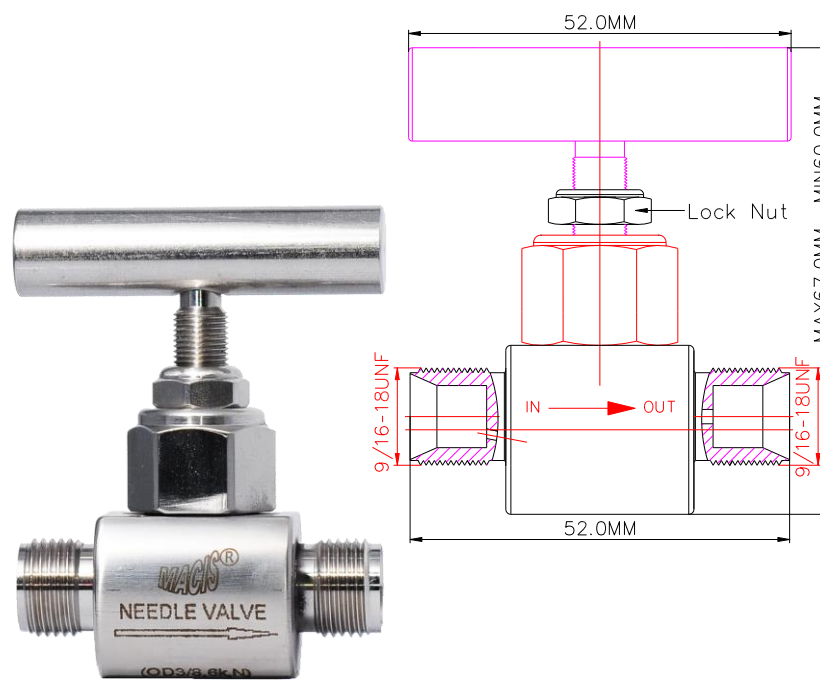
The needle valve is used to make relatively fine adjustments in the amount of fluid flow. They are often used as component parts of other valves, to shut off the flow of the process media to the pressure instrument.

The characteristic of this valve is the long, tapered, needle like point on the end of the valve stem. This "needle" acts as a disk. The longer part of the needle is smaller than the orifice in the valve seat and passes through the orifice before the needle seats. This arrangement permits a very gradual increase or decrease in the size of the opening in a needle valve. Therefore, the valve can provide fine flow adjustments. The number of handle turns can be directly correlated to the amount of flow.



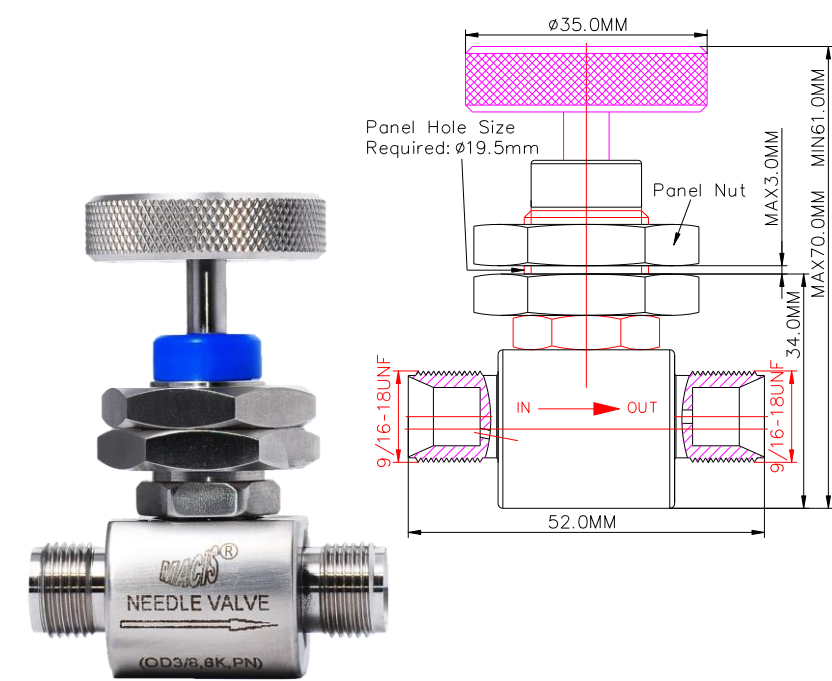
Ordering Ref : MV 180-9/16-6K-NV-L (Without Ferrule & Nuts)

MV 180-OD3/8 -6K-NV-L (With Ferrule & Nuts)



Ordering Ref : MV 180-9/16-6K-N-NV-L (Without Ferrule & Nuts)

MV 180-OD3/8-6K-N-NV-L (With Ferrule & Nuts)



Ordering Ref : MV 180-9/16-6K-PN-NV-L (Without Ferrule & Nuts)

MV 180-OD3/8-6K-PN-NV-L (With Ferrule & Nuts)

## Specification

Port Connection Size	IN Port: 9/16"-20UN M (Join to OD3/8" pipe) OUT Port: 9/16"-20UN M (Join to OD3/8" Pipe)
Working Media	Air
Max Working Pressure	6,000psi (413.7 bar)
Temperature Range	- 30°C to 120°C <i>Other Temperature Ranges available. Consult Factory</i>
Material (Valve Body)	316L
Exterior Shape	Circular Ø31.0mm (1 7/32")
Orifice Size	Ø4.2mm (1 1/64")
Seal Material	Viton(FKM) <i>Other Seal Material are Available Upon Request</i>
Flow Rate	Cv = 0.7
Options	Body Material and end connections other option available upon request

## Distinctions

Ordering Ref No	Net Weight	Stem Seal	Locknut	Panel Hole
MV 180-9/16-6K-NV-L :	220gm	With	Without	Without
MV 180-9/16-6K-N-NV-L :	220gm	Without	With	Without
MV 180-9/16-6K-PN-NV-L :	300gm	With	Without	Ø 19.5mm(49/64")

\*\* Measurement stated are with tolerance of +/-10%. Optional Parts/Material are available upon request.

MACIS PTE LTD

Blk 3015A Ubi Road 1, #01-02 & #01-06 Kampong Ubi Industrial Estate, Singapore 408705  
Email : [sales@macis.com.sg](mailto:sales@macis.com.sg) TEL : 65-6749 6011 / 65-6749 7882 FAX : 65-6749 1398