



www.macis.com.sg

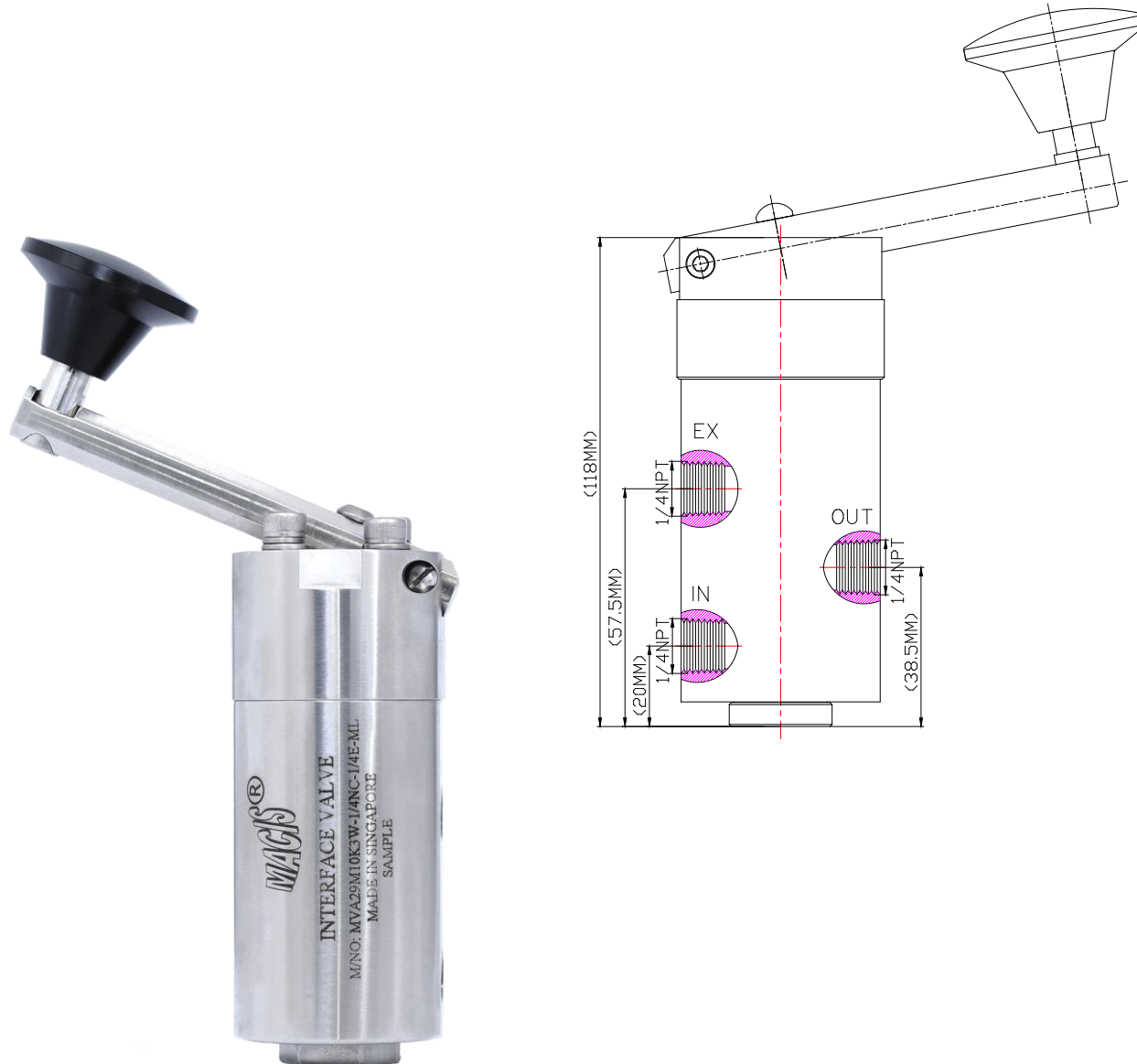
INTERFACE VALVE

Valve Operation

MV B29M10K3W-1/4NC-1/4E-ML-L is a 3-Way 2-Position Normally Closed Manual Operation Interface Valve (Manual lever with control override).

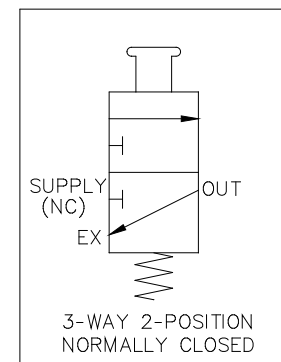
To open the valve, push down the manual lever and the valve as per below Status table State 1, supply pressure from IN port to OUT port and block at EX port.

To close the valve, release the manual lever, the valve will be change to close as per below status table state 2. The pressure flow will be block at IN port and accumulated operating pressure will released through the EX port.



Flow Control Status Table

STATE	IN	OUT	EX	MANUAL Handle
1	O	O	-	To push down
2	-	O	O	Release



Ordering Ref : MV B29M10K3W-1/4NC-1/4E-ML-L

Specification

Control Application	3-Way 2-Position Normally Closed Manual Lever with Control override Manual Operation Type
Port Connection Size	IN, OUT & EX Ports: 1/4" NPT F
Net Weight	3 KG
Working Media	Air
Max Working Pressure	10,000 PSI (689.4 bar)
Temperature Range	- 30°C to 120°C <i>Other Temperature Ranges available. Consult Factory</i>
Material(Valve Body)	316L
Valve Body Shape	Circular Ø50.5mm (2")
Seal Material	Viton(FKM) <i>Other Seal Material are Available Upon Request</i>
Manual Handle	Lever type
Flow Rate	Cv = 0.65

** Measurement stated are with tolerance of +/-10%. Optional Parts/Material are available upon request.

MACIS PTE LTD

Blk 3015A Ubi Road 1, #01-02 & #01-06 Kampong Ubi Industrial Estate, Singapore 408705
Email : sales@macis.com.sg TEL : 65-6749 6011 / 65-6749 7882 FAX : 65-6749 1398