



www.macis.com.sg

INTERFACE VALVE

Valve Operation

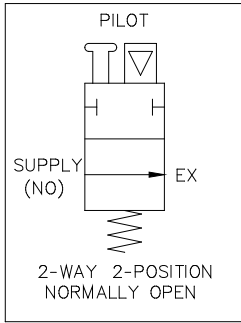
MV 29AM10K2W-1/4NO-1/4E-1/8P-N-L & MV 29AM10K2W-3/8NO-3/8E-1/8P-N-L are 2-Way Normally Open, Manual/ Pilot Supply pressure Operated Interface Valve (Manual handle with control override).

The valve designed to open incoming supply pressure from IN to EX port (As per below Status Table State 2) when there is Pilot pressure present. With pilot pressure applied, IN pressure is block to EX port (AS per below Status Table State 1).

A loss of Pilot Supply pressure will open and vent supply pressure from IN port to EX port.

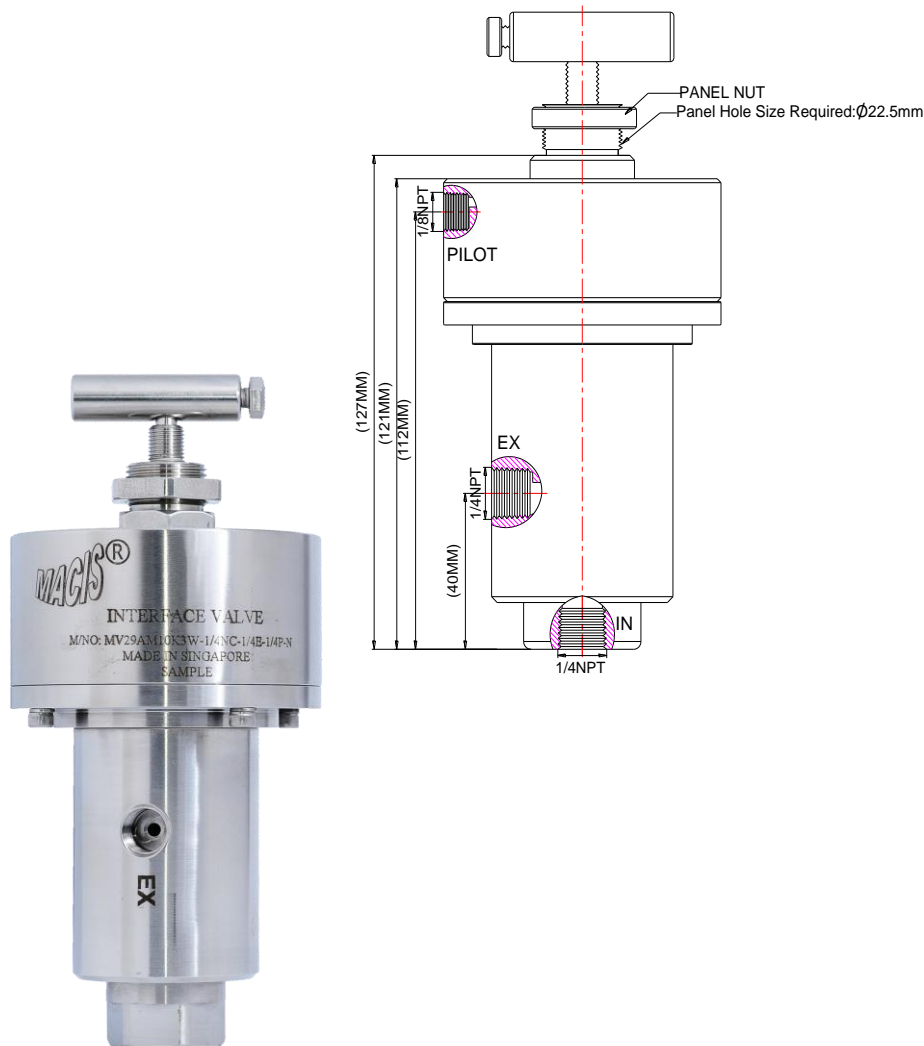
Manual handle is additional function to allow the valve to be in service when loss of pilot supply.

*Note: The manual handle should be return to the normal position after pilot pressure is restored.

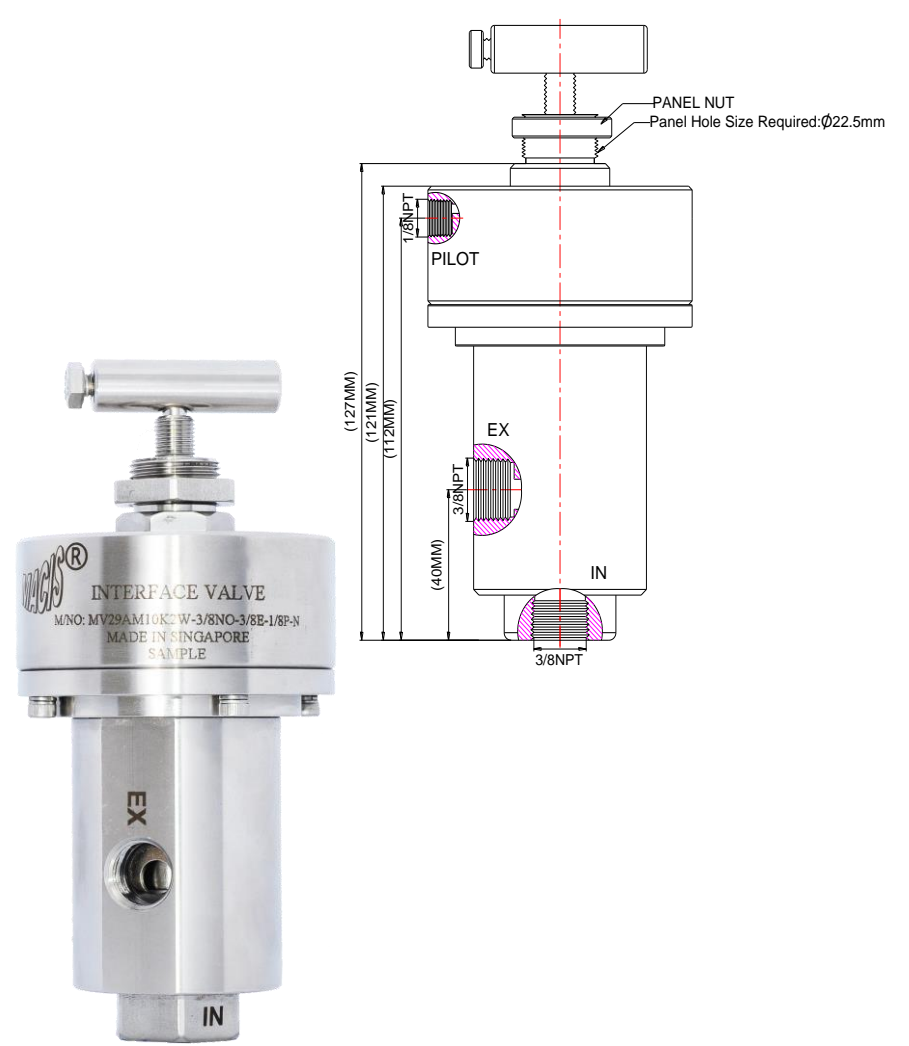


Flow Control Status Table

| STATE | IN | EX | Pilot /Manual Handle |
|-------|----|----|----------------------|
| 1 | O | - | O |
| 2 | O | O | - |



Ordering Ref : MV 29AM10K2W-1/4NO-1/4E-1/8P-N-L



Ordering Ref : MV 29AM10K2W-3/8NO-3/8E-1/8P-N-L

Specification

| | |
|----------------------|--|
| Control Application | 2-Way Normally Open Manual handle with Control override Manual/Auto Operation Type |
| Pilot Linker Shape | Circular Ø76.2mm (3") |
| Net Weight | 2.5 KG |
| Working Media | Air |
| Pilot Pressure Range | 40 - 150 PSI (2.8 -10.3 bar) |
| Max Working Pressure | 10,000 PSI (689.4 bar) |
| Temperature Range | - 30°C to 120°C <i>Other Temperature Ranges available. Consult Factory</i> |
| Material(Valve Body) | 316L |
| Seal Material | Viton(FKM) <i>Other Seal Material are Available Upon Request</i> |
| Manual Handle | Rotating screw type |
| Mounting Hole Size | Ø22.5 mm (57/64 ") |
| Flow Rate | Cv = 0.36 |

** Measurement stated are with tolerance of +/-10%. Optional Parts/Material are available upon request.

Distinctions

Ordering Ref No : MV 29AM10K2W-1/4NO-1/4E-1/8P-N-L



Port Connection Size : IN & EX Ports: 1/4"NPT F, Pilot Port: 1/8"NPT F

Ordering Ref No : MV 29AM10K2W-3/8NO-3/8E-1/8P-N-L



Port Connection Size : IN & EX Ports: 3/8"NPT F, Pilot Port: 1/8"NPT F

MACIS PTE LTD

Blk 3015A Ubi Road 1, #01-02 & #01-06 Kampong Ubi Industrial Estate, Singapore 408705
Email : sales@macis.com.sg TEL : 65-6749 6011 / 65-6749 7882 FAX : 65-6749 1398