



www.macis.com.sg

PILOT VALVE WITH INDICATING (Manual Reset Type)

Valve Operation

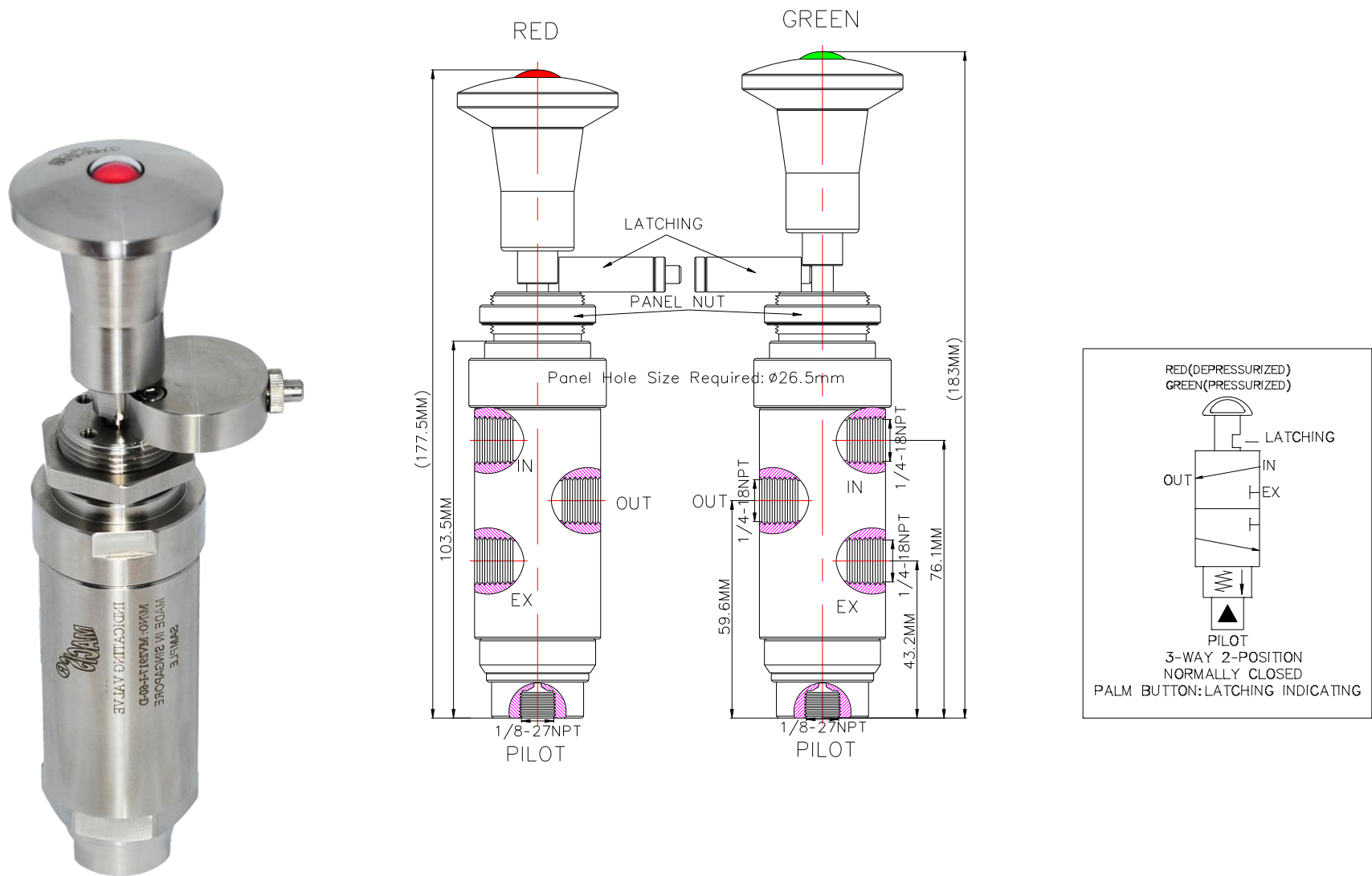
MV29176-I-56H-D-60 is a 3Way 2-Position, Normally closed, 2-color indicating with latching pin, button operated / manual reset type air latching pilot valve.

Pressure applied to the pilot port and manually pull the palm button to open the valve, spring return when the pilot pressure drop below 6psi(0.41bar).

The valve provided with a pressure indicator appears **Red** showing normal close position, when there is depressurized in the IN port or the pilot chamber or the pilot pressure drop below 6 psi (0.41bar).

The pressure indicator appears **Green** showing normally open position, when the pilot chamber and IN port is pressurized and until the palm button manually pulled out.

The Valve with additional manual latch pin feature that can be latched in the open position when there is loss of pilot signal, by manually pull the knob will unlatch the pin or apply a pilot signal.



Ordering Ref : MV 29176-I-56H-D-60

Specification

Control Application	3-Way 2-Position, Normally Closed 2-Color Indicating Air Latching Pilot Valve, With Latching Pin, Button Operated / Manual - Reset Type
Port Connection Size	IN, OUT & EX Ports: 1/4"-18 NPT F Pilot Port: 1/8"-27NPT F
Exterior Shape	Circular Ø37.5mm (1 ³¹ / ₆₄ ")
Panel Hole Size	Ø 26.5 mm (1 ³ / ₆₄ ")
Net Weight	1.0kg
Working Media	Oil
Pilot Pressure Range	40 - 120 PSI (2.8 – 8.2bar)
Max Working Pressure	200 PSI (13.7bar)
Temperature Range	- 30°C to 120°C <i>Other Temperature Ranges Are Available. Consult Factory</i>
Material(Valve Body)	316 L
Indicator	Standard Part
Color(Indicating)	Red & Green
Seal Material	Nitrile Rubber(NBR) <i>Other Seal Material Are Available Upon Request</i>
Flow Rate	Cv = 1.65

** Measurement stated are with tolerance of +/-10%. Optional Parts/Material are available upon request.

MACIS PTE LTD

Blk 3015A Ubi Road 1, #01-02 & #01-06 Kampong Ubi Industrial Estate, Singapore 408705
Email : sales@macis.com.sg TEL : 65-6749 6011 / 65- 6749 7882 FAX : 65-6749 1398