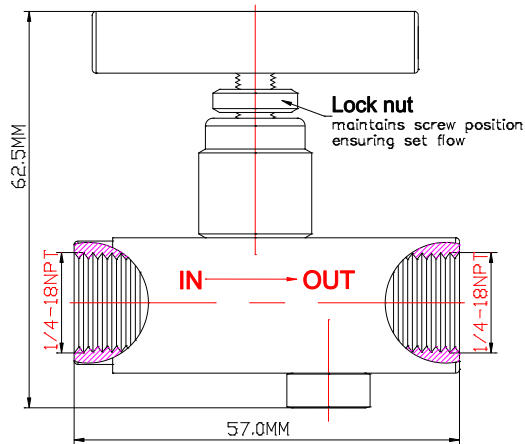
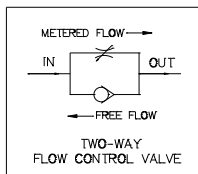




www.macis.com.sg

FLOW CONTROL VALVE

Valve Code: MV3147333-H



Ordering Ref : MV3147333-H

Specification

Control Application	2-Way, Needle and the Spring Biased Ball operated , Provides controlled flow in one direction(as arrow) and allows full flow in the opposite	<p><u>Principle Of Operation</u></p> <p>Flow control valve (MV 3147333-H) combines a check and needle valve to provide effective speed control and fast close function. Flow adjustment can be made under pressure. When turning the manual handle clockwise and with the working pressure entering the IN port, a tapered needle acts as a fixed orifice, the effective size of this orifice is increased as tapered needle is opened controlling flow to out port. In the opposite direction, when reverse pressure flow exceeds the spring force, the spring biased ball inside the spring is unseated allowing free flow through it.</p>
Port Connection Size	Input:1/4"-18NPT F Output:1/4"-18NPT F	
Net Weight	110 gm	
Working Media	Oil	
Max Working Pressure	1,000 PSI (68.94bar)	
Temperature Range	- 30°C to 120°C <i>Other Temperature Ranges available. Consult Factory</i>	
Material(Valve Body)	316L	
Exterior Shape	Hexagon A/F19.05 mm ($\frac{49}{64}$ ")	
Seal Material	Nitrile Rubber(NBR) <i>Other Seal Material Are Available Upon Request</i>	
Orifice Size	Ø 3.0 mm ($\frac{1}{8}$ ")	
Flow Rate	Cv (Flow Check): 0.23	
Options	Body Material and end connections other option available upon request	

** Measurement stated are with tolerance of +/-10%. Optional Parts/Material are available upon request.

MACIS PTE LTD

Blk 3015A Ubi Road 1, #01-02 & #01-06 Kampong Ubi Industrial Estate, Singapore 408705

Email : sales@macis.com.sg