

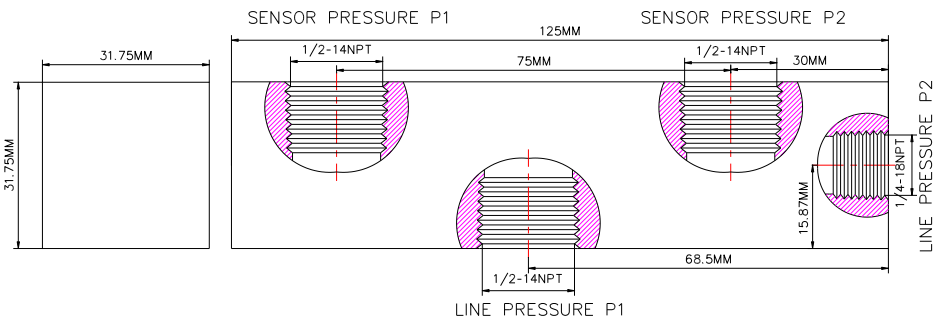


www.macis.com.sg

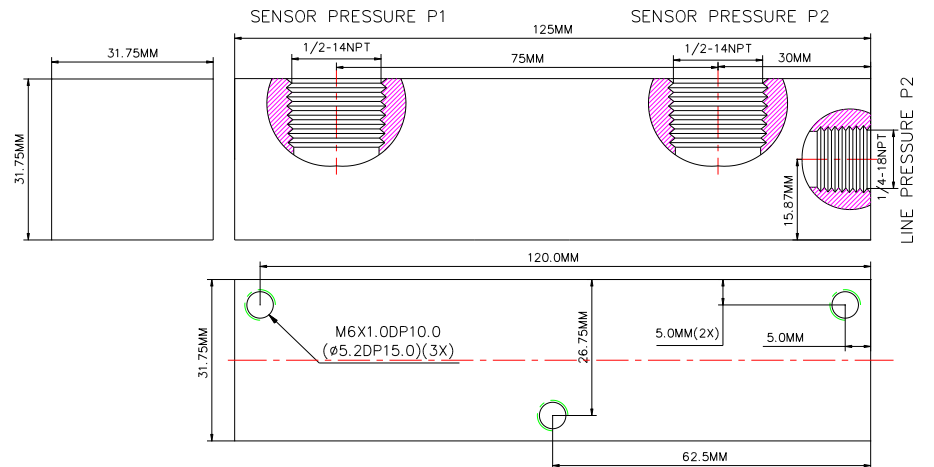
H / L PRESSURE SENSOR MANIFOLD

Descriptions

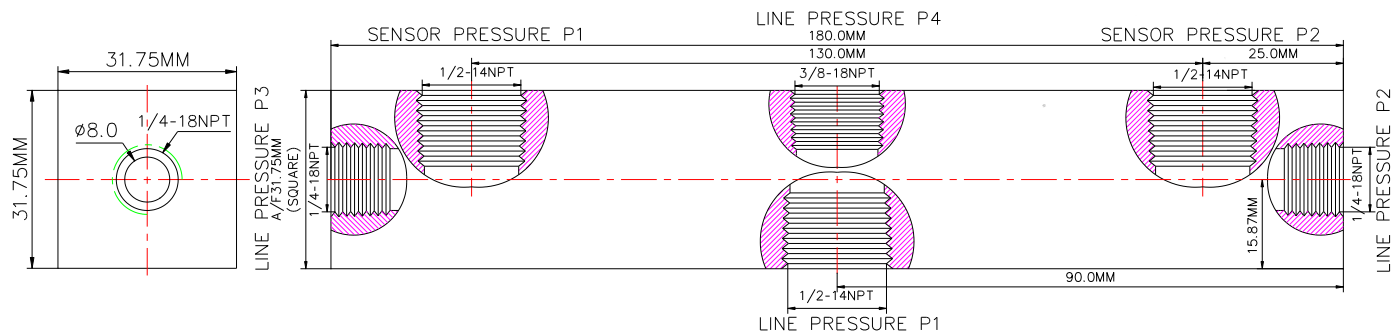
The pressure sensor manifold used to connect pressure sensor, the Port:L.P.P1(Line Pressure P1) Communicates With the Port:S.P.P1(Sensor Pressure P1); S.P.P2; L.P.P2



Ordering Ref : MV 6389125



Ordering Ref : MV 6389126



Ordering Ref : MV 6389180

Specification

Control Application	Used to connect Pressure Sensor	Distinctions	
Working Media	Oil / Air	Ordering Ref No	Port Connection Size
Max Working Pressure	10,000PSI (689.4bar)	MV 6389125 :	Sensor Pressure P1 & P2 : 1/2"-14NPT F , Line Pressure : { P1 : 1/2"-14NPT F P2:1/4"-18NPT F
Temperature Range	- 30°C to 120°C <i>Other Temperature Ranges available. Consult Factory</i>	MV 6389126 :	Sensor Pressure P1 & P2 :1/2"-14NPT F, Line Pressure P2 : 1/4"-18NPT F
Material(Valve Body)	316L	MV 6389180 :	Sensor Pressure P1 & P2 :1/2"-14NPT F, Line Pressure : { p1 : 1/2"-14NPT F P2 & P3 : 1/4"-18NPT F P4 : 3/8"-18NPT F
Exterior Shape	SQ31.75mmx31.75mm(1 1/4" x 1 1/4")		
Orifice Size	Ø8.0mm(5/16")		

** Measurement stated are with tolerance of +/-10%. Optional Parts/Material are available upon request.

MACIS PTE LTD

Blk 3015A Ubi Road 1, #01-02 & #01-06 Kampong Ubi Industrial Estate, Singapore 408705
Email : sales@macis.com.sg TEL : 65-6749 6011 / 65-6749 7882 FAX: 65-6749 1398