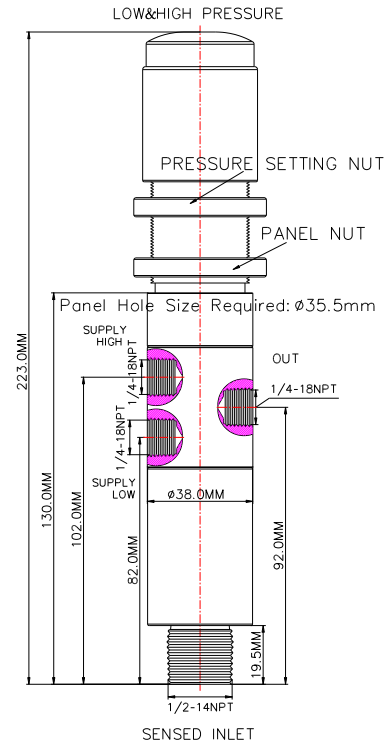
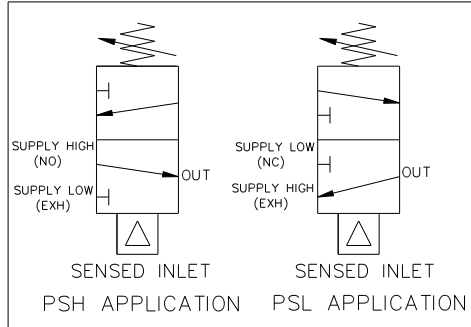




www.macis.com.sg

# HIGH / LOW PRESSURE SENSOR

Valve Code: MV 2681666L-DLX



Ordering Ref : MV 2681666L-DLX

MV2681666L-DLX is a 2-Position 3-Way pilot with universal ports, automatic reset (spring return) pressure sensor. The pressure sensor used to initiate instrument sequencing to safeguard facilities upon detection of abnormal operational pressure, it also can be programmed to detect and react to either increasing pressure or decreasing pressure with an adjustable range of **25 to 10,000 psi**. Used in the pressure safety **low** mode (PSL), there are 3-way functions as **normally closed**, block and bleed control. When used in the pressure safety **high** mode (PSH), there are 3-way functions as **normally open**, block and bleed control.

## Specification

### PRESSURE ADJUSTMENT RANGE (PSI)

A	B	C	D	E	F	G	H	I	J
25-100	50-180	80-300	180-450	250-750	500-2,000	1,000-4,000	3,000-6,000	5,000-8,000	7,000-10,000

**NOTE: User Need To Provide Accurate Pressure Setting When Ordering**

Port Size	Sensed IN: 1/2"-14NPT M OUT Port: 1/4"-18NPT F, H/L Pressure Control Port: 1/4"-18NPT F
Net Weight	1.4 kg
Working Media	Air
Max Working Pressure	Control Ports: 150 PSI (10.3 bar) Flow Line: 10,000 PSI (689.4 bar)
Temperature Range	- 30°C to 120°C <i>Other Temperature Ranges available. Consult Factory</i>
Panel Hole Size	Ø 35.5mm ( 1 <sup>25</sup> / <sub>64</sub> ")
Material(Valve Body)	316L(Valve Body) Duplex to ASTM A276SS (Inlet Seal & Inlet Body)
Seal Material	Viton(FKM) <i>Other Material Are available, Consult Factory</i>

\*\* Optional Parts/Material are available upon request.

MACIS PTE LTD

Blk 3015A Ubi Road 1, #01-02 & #01-06 Kampong Ubi Industrial Estate, Singapore 408705

Email : sales@macis.com.sg