

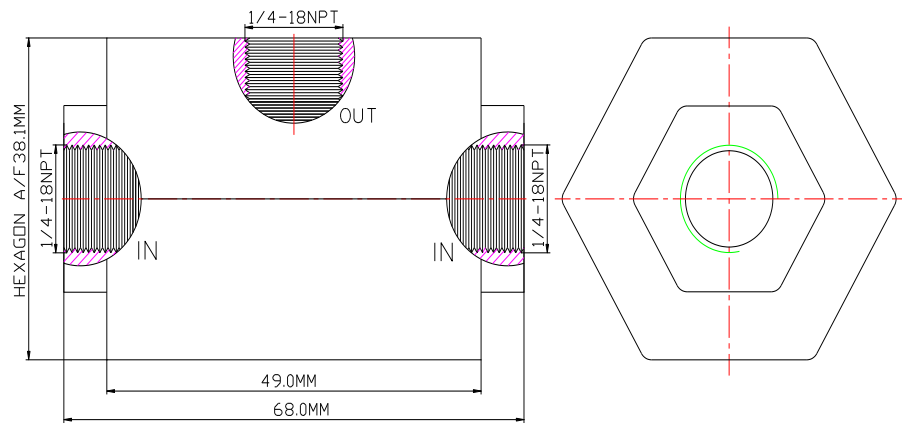
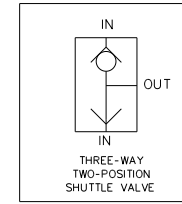


www.macis.com.sg

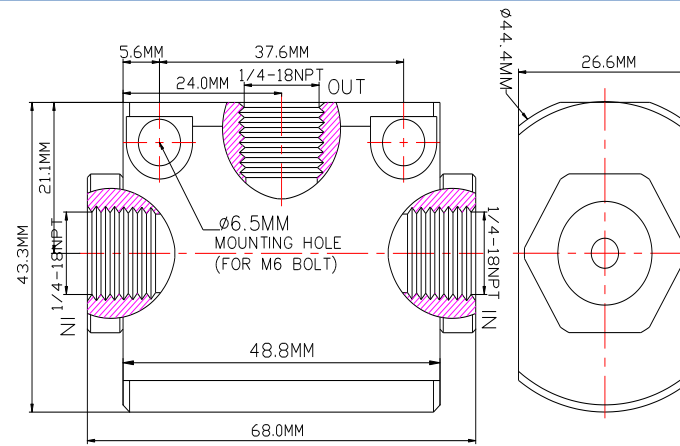
# SHUTTLE VALVE

## Descriptions

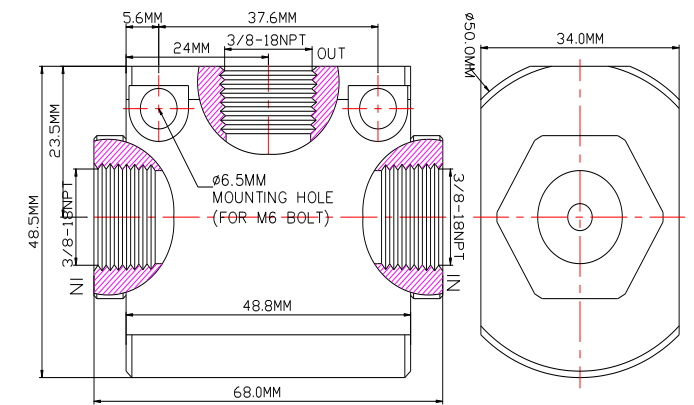
The Shuttle Valve has a free moving ball shuttle that blocks one of the two inlet ports while the other inlet port is connected to the outlet port. The pressure flow enter to two inlet ports from different sources, A free floating ceramic ball shuttles according to the relative pressure at the two inlets, the higher pressure inlet flows through the valve and moves the ball to close the opposite inlet. The valve combines ceramic ball contact with an O-ring seal seat to ensure tight shutoff of gas fluid from lower pressure flow. The valve can also flow in the reverse direction to relieve the system pressure when input is removed.



Ordering Ref : MV 5877A-10K-1/4-L



Ordering Ref : MV 5877B-10K-1/4-L



Ordering Ref : MV 5877B-10K-3/8-L

## Specification

Control Application	3-Way, 2-Position Auto Operation Ball Type Allows fluid to flow through it from one of two sources	<b>Distinctions</b>  <table border="1"> <thead> <tr> <th>Ordering Ref No</th> <th>Net Weight</th> <th>Exterior Shape</th> </tr> </thead> <tbody> <tr> <td>MV 5877A-10K-1/4-L :</td> <td>600gm</td> <td>Hexagon A/F38.0mm(1 1/2")</td> </tr> <tr> <td>MV 5877B-10K-1/4-L :</td> <td>450gm</td> <td>Oblong with Mounting Hole (For M6 Bolts)</td> </tr> <tr> <td>MV 5877B-10K-3/8-L :</td> <td>600gm</td> <td>Oblong with Mounting Hole (For M6 Bolts)</td> </tr> </tbody> </table>	Ordering Ref No	Net Weight	Exterior Shape	MV 5877A-10K-1/4-L :	600gm	Hexagon A/F38.0mm(1 1/2")	MV 5877B-10K-1/4-L :	450gm	Oblong with Mounting Hole (For M6 Bolts)	MV 5877B-10K-3/8-L :	600gm	Oblong with Mounting Hole (For M6 Bolts)
Ordering Ref No	Net Weight		Exterior Shape											
MV 5877A-10K-1/4-L :	600gm		Hexagon A/F38.0mm(1 1/2")											
MV 5877B-10K-1/4-L :	450gm		Oblong with Mounting Hole (For M6 Bolts)											
MV 5877B-10K-3/8-L :	600gm		Oblong with Mounting Hole (For M6 Bolts)											
Working Media	Air													
Max Working Pressure	10,000psi(689.4 bar)													
Temperature Range	- 30°C to 120°C <i>Other Temperature Ranges available. Consult Factory</i>													
Material(Valve Body)	316 L													
Orifice Size	Ø3.1mm( 1/8 ")													
Seal Material	Viton(FKM) <i>Other Seal Material are Available Upon Request</i>													
Flow Rate	Cv = 0.35													

\*\*Measurement stated are with tolerance of +/-10%. Optional Parts/Material are available upon request.

## MACIS PTE LTD

Blk 3015A Ubi Road 1, #01-02 & #01-06 Kampong Ubi Industrial Estate, Singapore 408705  
Email : [sales@macis.com.sg](mailto:sales@macis.com.sg) TEL : 65-6749 6011 / 65-6749 7882 FAX : 65-6749 1398