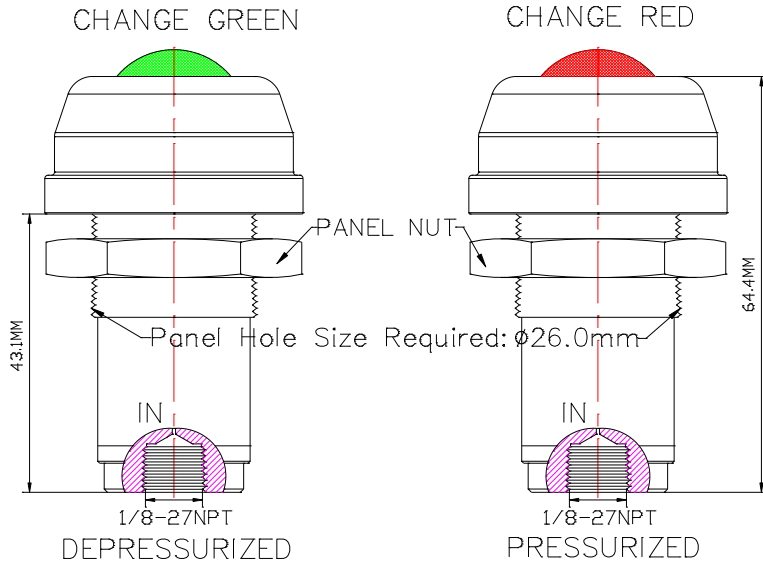




www.macis.com.sg

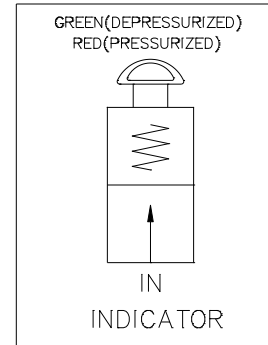
STATUS INDICATOR (PNEUMATIC)

Valve Code: MV2917-IG-L-1"-3K(28psi)



INDICATOR STATUS

STATE	COLOR	STATUS
1	RED	PRESSURIZED
2	GREEN	DEPRESSURIZED



Ordering Ref : MV2917-IG-L-1"-3K(28psi)

MV2917-IG-L-1"-3K(28psi) is a 2-Colors Air Pressurized to Actuate, Panel Mounting Auto-Reset Indicator, to provide visual verification of the pressure status in a system.

*In state 1, IN port pressurized, the indicator appears **Red**.*

*In state 2, IN port depressurized, the indicator appears **Green**.*

Specification

Port Connection Size	IN Port: 1/8"-27 NPT F
Exterior Shape	Circular Ø25.4mm(1")
Panel Hole Size	Ø 26.0 mm (1 ¹ / ₃₂ ")
Pressurized Indication Color Setting	28PSI (1.93bar)
Working Pressure Range	0-3000 PSI (0 – 206.8 bar)
Working Media	Air
Net Weight	200gm
Temperature Range	2 to 66°C <i>Other Temperature Ranges available. Consult Factory</i>
Material(Valve Body)	316 L
Lens Material	Acrylic
Seal Material(Standard)	Viton (FKM) <i>Other Seal Material Are Available Upon Request</i>

** Measurement stated are with tolerance of +/-10%. Optional Parts/Material are available upon request.

MACIS PTE LTD

Blk 3015A Ubi Road 1, #01-02 & #01-06 Kampong Ubi Industrial Estate, Singapore 408705

Email : sales@macis.com.sg